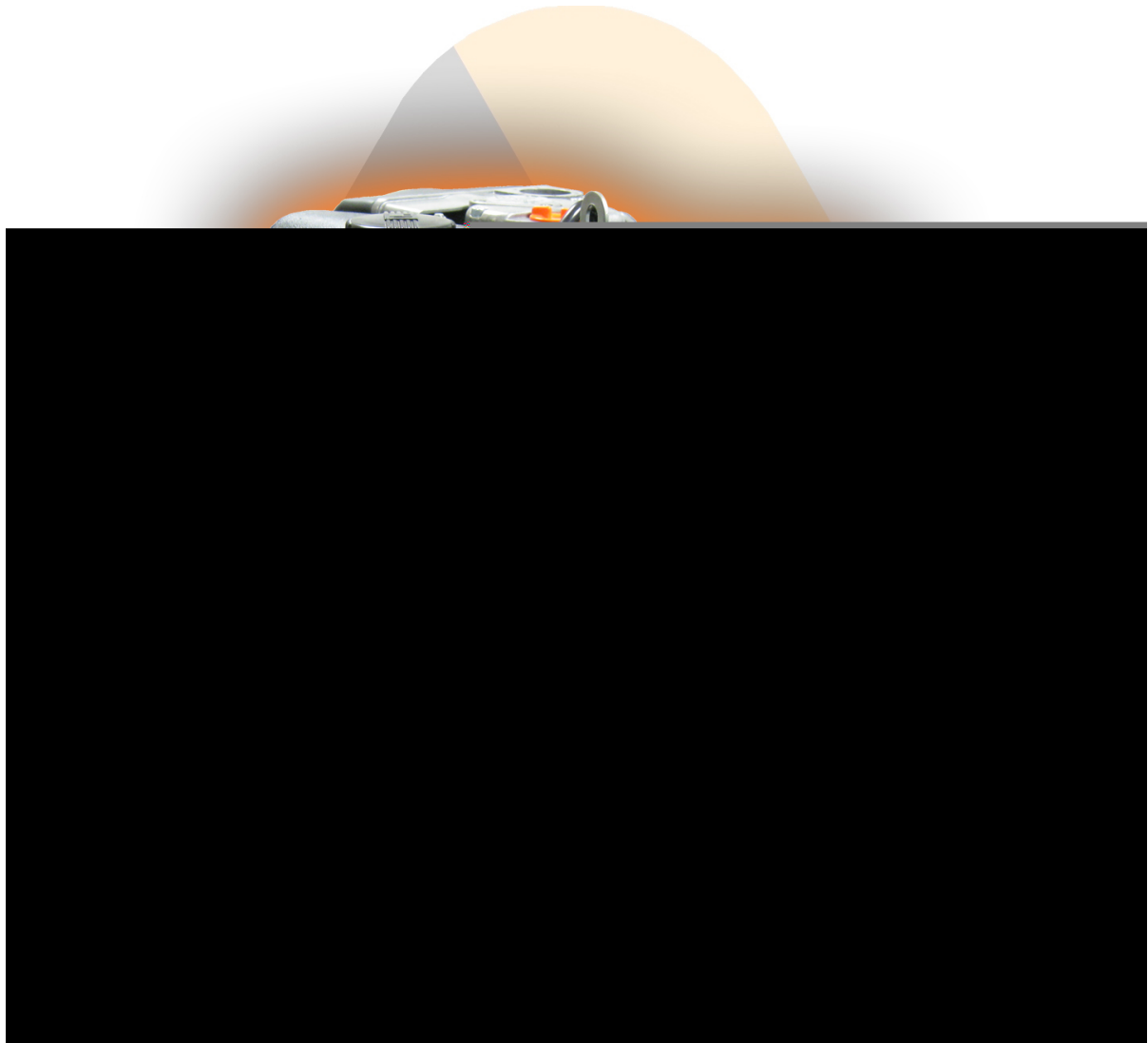

ED3B9262

Spare Parts Catalogue



15LD440-S

Update Date 17/06/2011

Print Date 05/07/2011

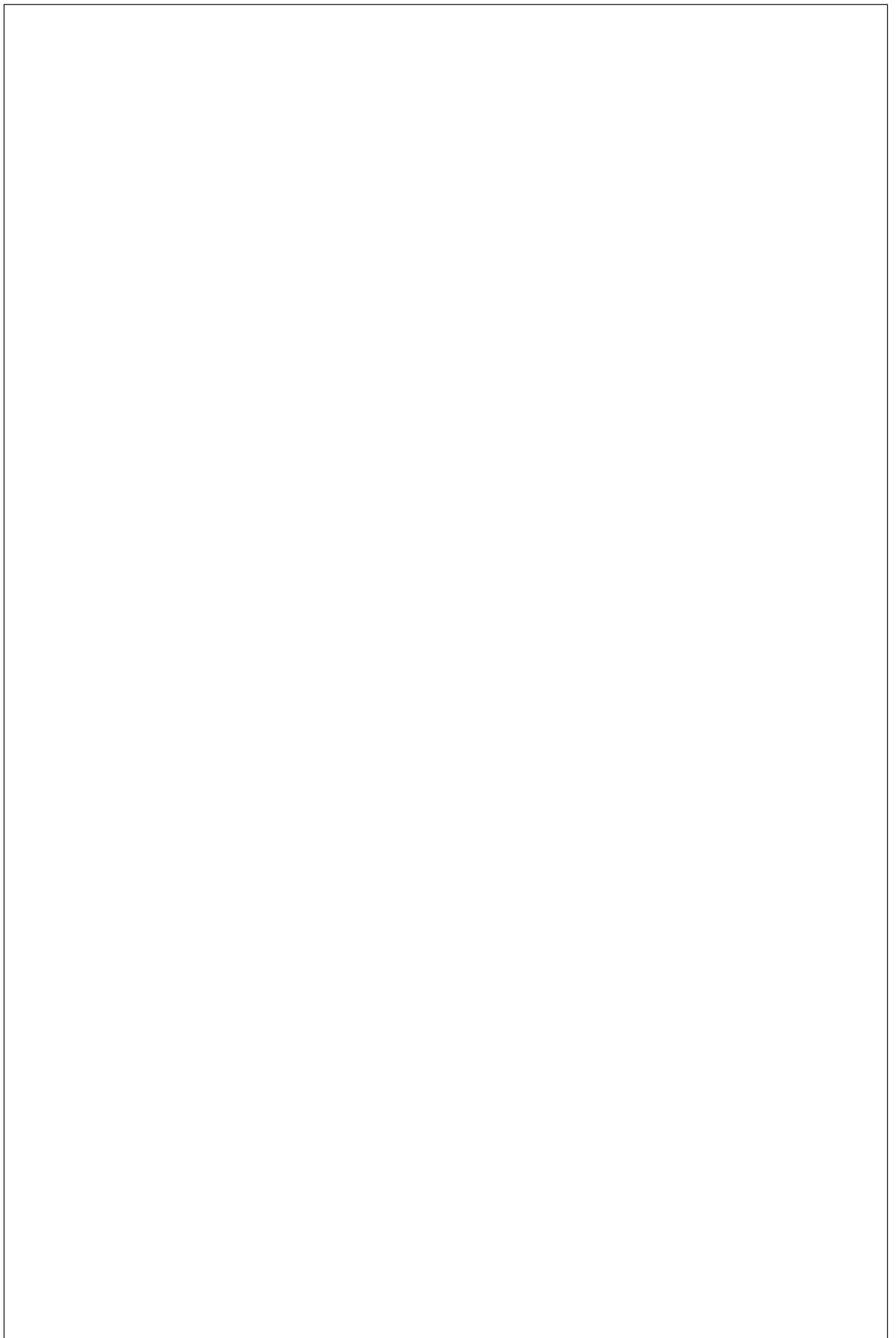
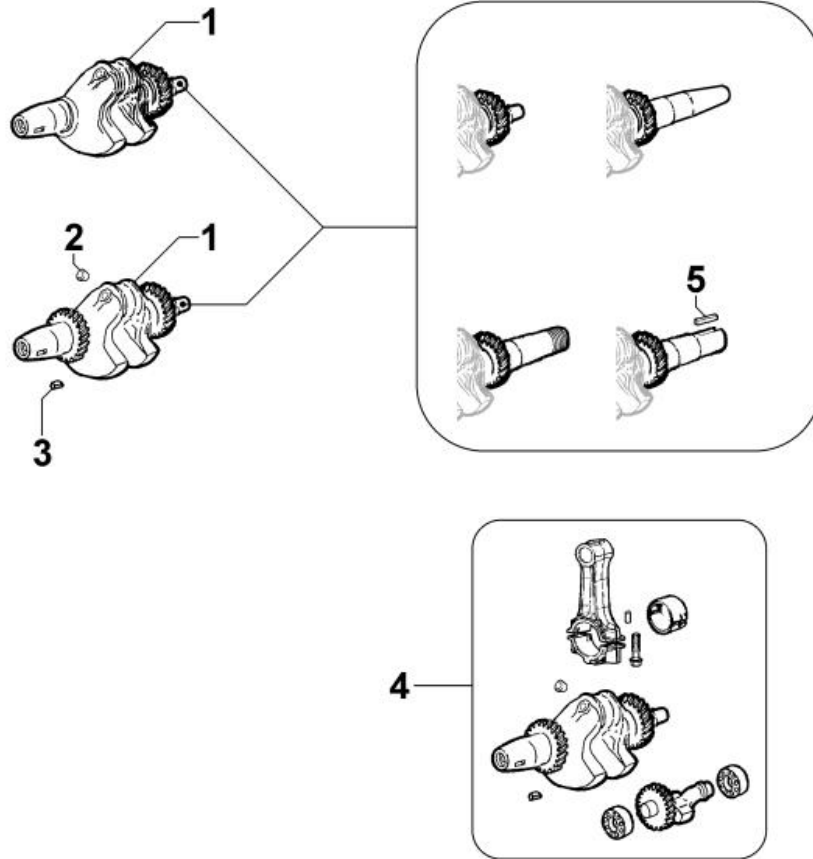


Tavola ricambi

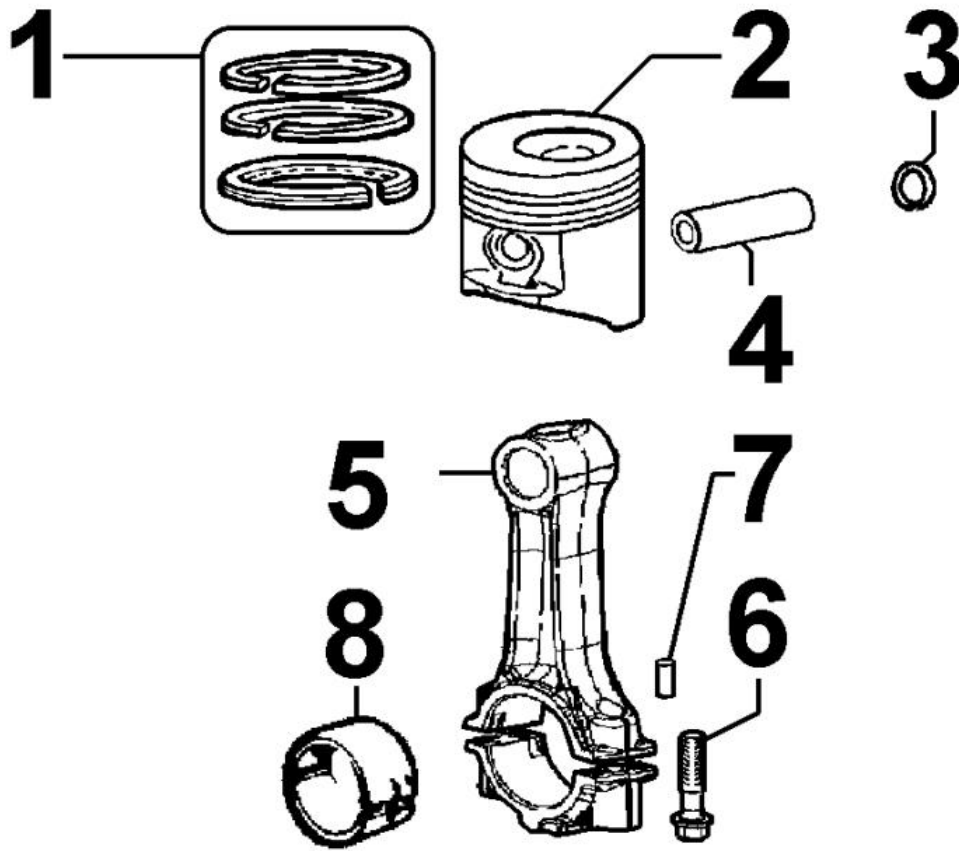
| Index | Description |
|------------|-----------------------------------|
| 8010180080 | CRANKSHAFT |
| 8011180060 | PISTON / CONNECTING ROD |
| 8012180070 | FLYWHEEL |
| 8013180020 | EQUALIZER SHAFT |
| 8020180400 | CRANKCASE |
| 8021180020 | CYLINDER HEAD |
| 8022180010 | HEAD COVER |
| 8024180010 | CRANKCASE COVER |
| 8030180270 | INJECTION SYSTEM |
| 8035180060 | CAMSHAFT |
| 8036180020 | ROCKER ARMS / VALVES |
| 8037180060 | COMPRESSION RELEASE |
| 8040180010 | OIL PUMP |
| 8042180020 | OIL FILTER |
| 8043180010 | OIL DIPSTICK |
| 8044180010 | OIL PRESSURE VALVE |
| 8050180160 | SPEED GOVERNOR |
| 8051180340 | CONTROLS |
| 8052180150 | ELECTROVALVE |
| 8061180090 | FUEL FILTER |
| 8063180010 | FUEL TANK |
| 8064180050 | FUEL PIPING |
| 8070180120 | AIR SHROUD |
| 8072180060 | COOLING PLATES |
| 8081180550 | AIR CLEANER |
| 8086180150 | EXHAUST MUFFLER |
| 8100180010 | VOLTAGE ALTERNATOR |
| 8101180040 | STARTING MOTOR |
| 8102180010 | OIL PRESSURE SWITCH |
| 8103180010 | ELECTRIC DASHBOARD / ENGINE WIRES |
| 8110180040 | STARTING |
| 8120180280 | RECOIL STARTING |

8010180080 - CRANKSHAFT



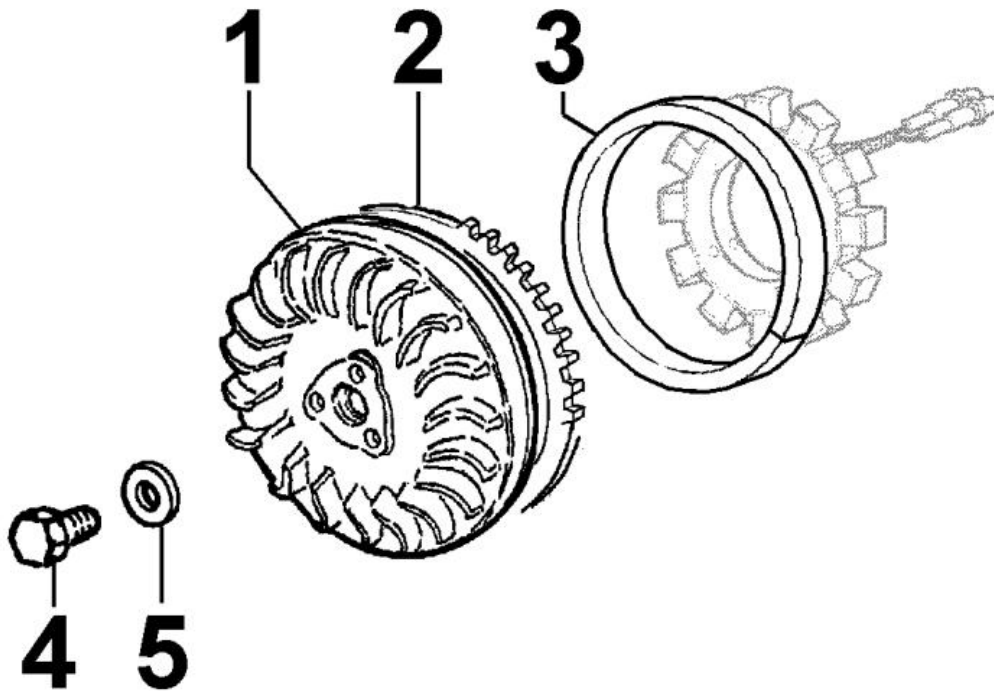
| Pos | Kit | Included In | Code | Description | Qty | Old Code | Tech. Info |
|-----|-----|-------------|----------------|-------------|-----|----------|------------|
| 1 | (A) | | ED0010512320-S | CRANKSHAFT | 1 | | |
| 2 | | (A) | ED0090801320-S | CAP | 1 | | |
| 3 | | (A) | ED0022800670-S | KEY | 1 | | |
| 5 | | (A) | ED0022800500-S | KEY | 1 | | |

8011180060 - PISTON / CONNECTING ROD



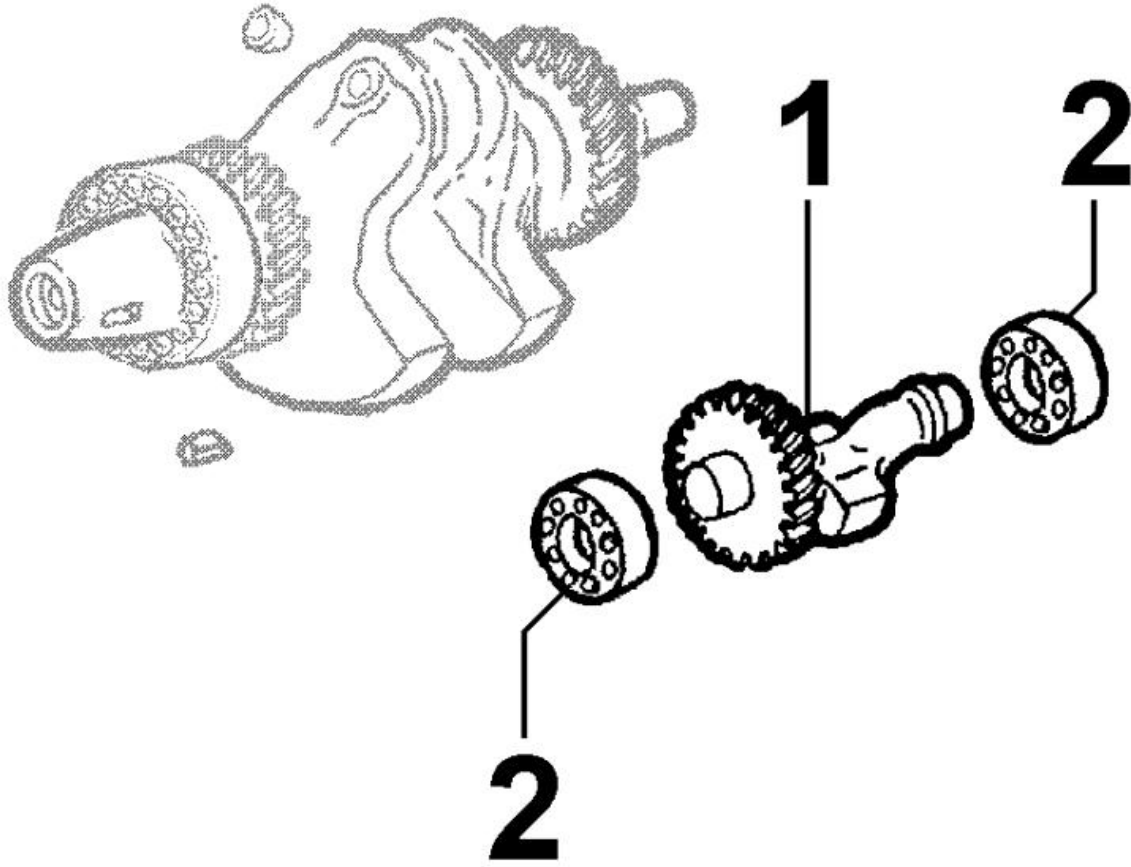
| Pos | Kit | Included In | Code | Description | Qty | Old Code | Tech. Info |
|-----|-----|-------------|----------------|---------------------------------|-----|----------------|------------|
| 1 | | (B) | ED0082112820-S | RINGS STAND, 15LD440 | 1 | | |
| 1 | | (B) | ED0082112830-S | RINGS STAND, +05 15LD440 | 1 | | |
| 1 | | (B) | ED0082112840-S | RINGS STAND, +10 15LD440 | 1 | | |
| 2 | (B) | | ED0065028950-S | STD, PISTON ASSEMBLY UR 15LD440 | 1 | | |
| 2 | (B) | | ED0065028960-S | PISTON +0,50 | 1 | | |
| 2 | (B) | | ED0065028970-S | PISTON SET +1,00 (NON-EPA) | 1 | | |
| 3 | | (B) | ED0011600650-S | STOPRING | 2 | | |
| 4 | | (B) | ED0084801030-S | PISTON PIN | 1 | | |
| 5 | (A) | | ED0015262640-S | CONNECTING ROD | 1 | | ⚠ |
| 6 | | (A) | ED0017701770-S | BOLT | 2 | | ⚠ |
| 7 | | (A) | ED0077702560-S | ROLLER | 2 | | ⚠ |
| 8 | | | ED0016401220-S | BEARING | 1 | ED0080614960-S | ⚠ |
| 8 | | | ED0016401230-S | BEARING | 1 | | ⚠ |
| 8 | | | ED0016401240-S | BEARING | 1 | | ⚠ |

8012180070 - FLYWHEEL



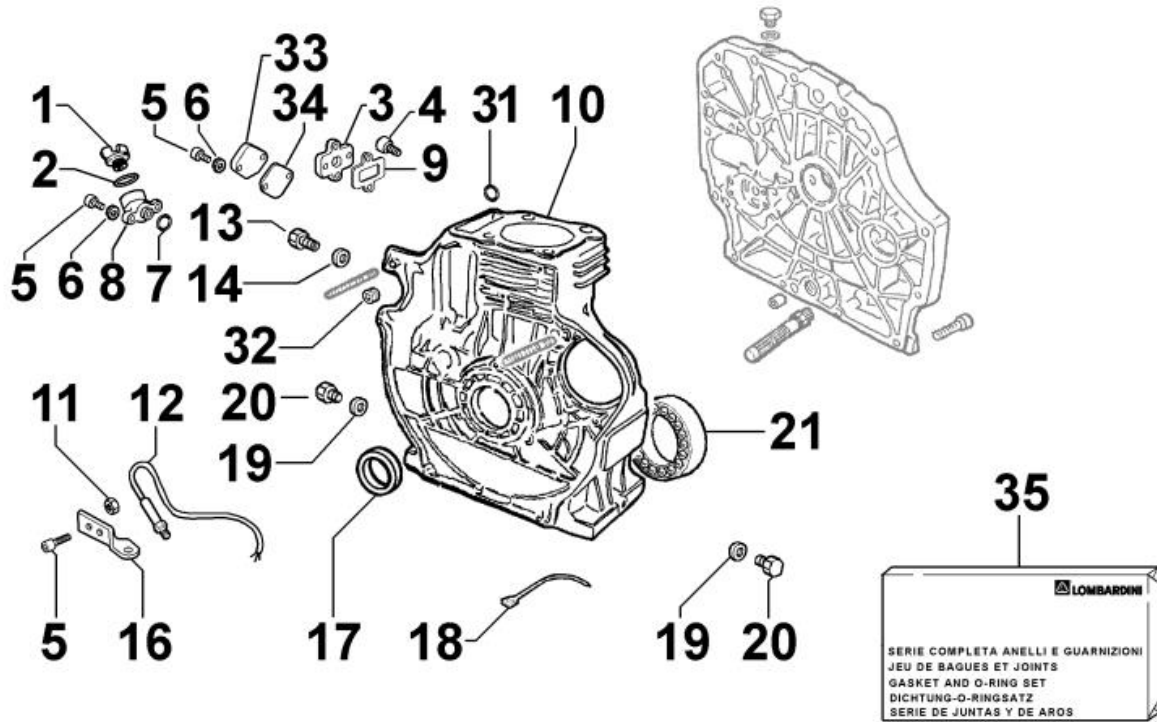
| Pos | Kit | Included In | Code | Description | Qty | Old Code | Tech. Info |
|-----|-----|-------------|----------------|--------------------------------|-----|----------|------------|
| 1 | (B) | | ED0098816700-S | FLYWHEEL WITH GEAR AND MAGNETE | 1 | | |
| 1 | (A) | (B) | ED0098816020-S | VOLANO COMPL,DI CORONA 15LD401 | 1 | | |
| 2 | | (A) (B) | ED0028162040-S | RING GEAR | 1 | | |
| 3 | | (B) | ED0020020190-S | ROTOR | 1 | | |
| 4 | | | ED0018000300-S | BOLT | 1 | | |
| 5 | | | ED0076260430-S | WASHER | 1 | | |

8013180020 - EQUALIZER SHAFT



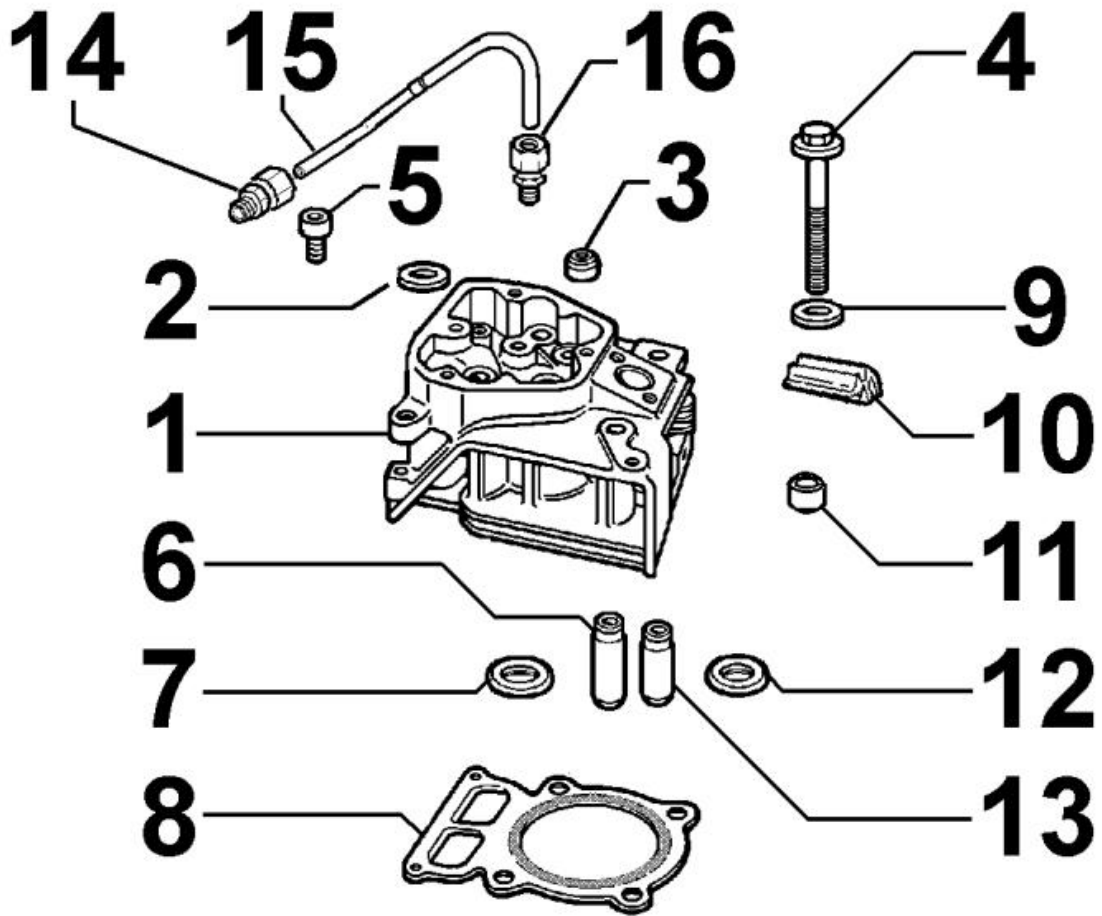
| Pos | Kit | Included In | Code | Description | Qty | Old Code | Tech. Info |
|-----|-----|-------------|----------------|-------------|-----|----------------|------------|
| 1 | | | ED0011112670-S | SHAFT | 1 | ED0011112590-S | |
| 2 | | | ED0030020770-S | B,BEARING | 2 | | |

8020180400 - CRANKCASE



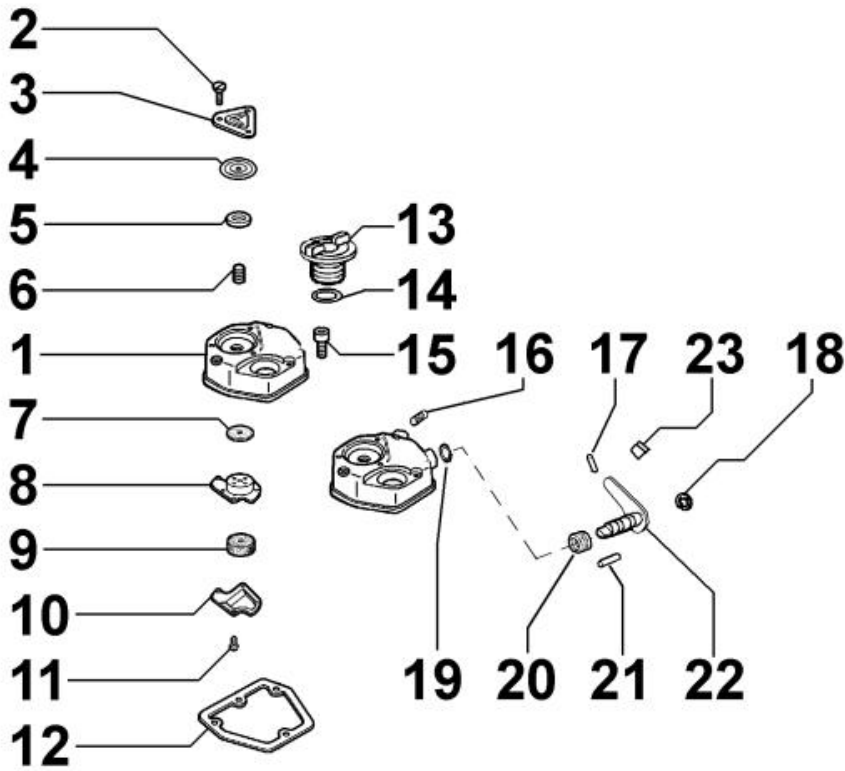
| Pos | Kit | Included In | Code | Description | Qty | Old Code | Tech. Info |
|-----|-----|-------------|----------------|-------------------------------|-----|----------|------------|
| 2 | | | ED0090320860-S | FILLERPL | 1 | | |
| 3 | | | ED0012000820-S | O RING | 1 | | |
| 4 | | | ED0038000640-S | FLANGE | 1 | | |
| 5 | | | ED0097300240-S | ALLEN SCREW | 2 | | |
| 6 | | | ED0076250070-S | WASHER | 2 | | |
| 6 | | | ED0097300100-S | SCREW | 2 | | |
| 7 | | | ED0012010840-S | O RING | 1 | | |
| 8 | | | ED0015700590-S | FILLER CAP | 1 | | |
| 9 | | | ED0044000780-S | GASKET | 1 | | |
| 10 | | | ED0015112340-S | BAS, AE AC ROL L,COM, 15LD440 | 1 | | |
| 13 | | | ED0019011690-S | BOLT | 1 | | |
| 14 | | | ED0046700590-S | C,GASKET | 1 | | |
| 17 | | | ED0012135350-S | OIL SEAL RING 40X50X7 RIGHT | 1 | | ⚠ |
| 19 | | | ED0043500070-S | GASKET | 2 | | |
| 20 | | | ED0090400120-S | PLUG | 2 | | |
| 21 | | | ED0030020810-S | BEARING | 1 | | |
| 31 | | | ED0012000350-S | O RING | 1 | | |
| 32 | | | ED0097651110-S | A,GRUBSCREW | 1 | | |
| 35 | | | ED0082051250-S | GASKET SET | 1 | | ⚠ |

8021180020 - CYLINDER HEAD



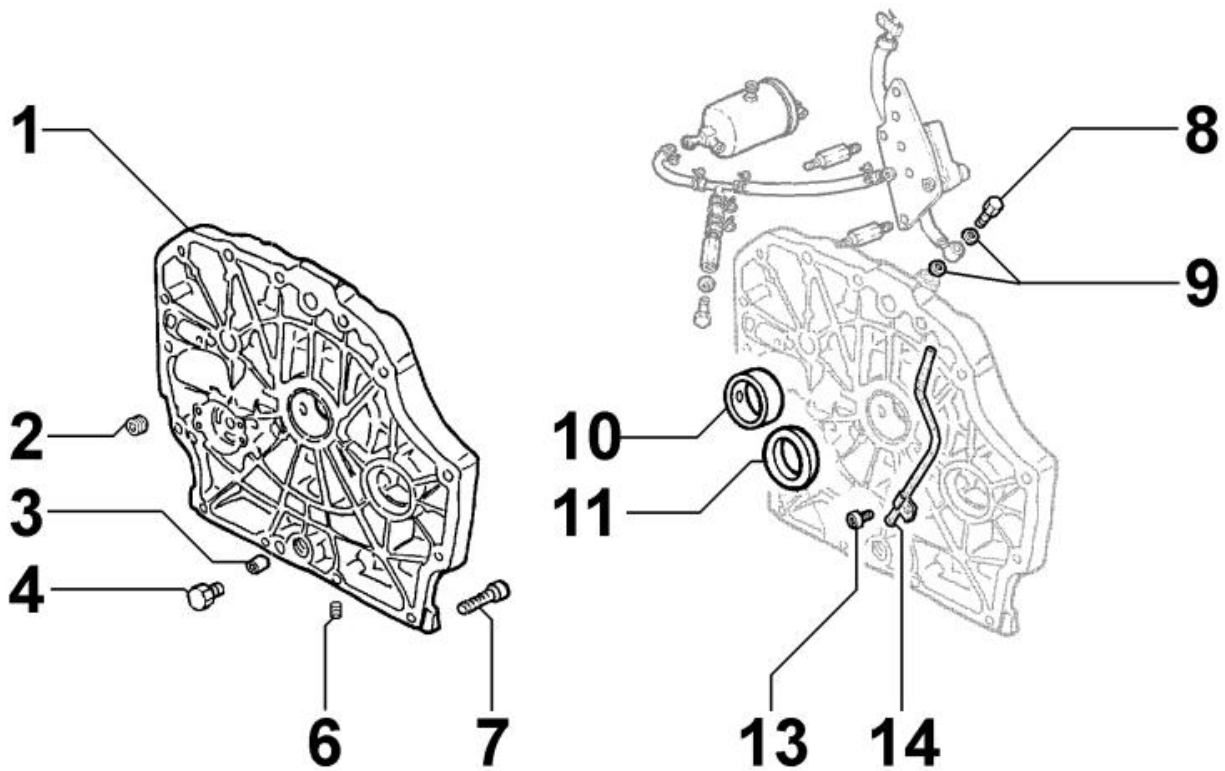
| Pos | Kit | Included In | Code | Description | Qty | Old Code | Tech. Info |
|-----|-----|-------------|----------------|------------------------------------|-----|----------|------------|
| 1 | (A) | | ED0092007190-S | CYLINDER HEAD | 1 | | |
| 2 | | | ED0076250610-S | WASHER | 1 | | |
| 3 | | | ED0045350150-S | VALVE STEM SEAL d,7 | 2 | | |
| 4 | | | ED0018621520-S | BOLT | 4 | | |
| 5 | | | ED0097320780-S | SCREW | 2 | | ⚠ |
| 6 | | (A) | ED0048452180-S | GUIDE | 1 | | |
| 7 | | (A) | ED0080002190-S | VALVE SEAT | 1 | | |
| 8 | | | ED0047307540-S | GASKET | 0 | | ⚠ |
| 8 | | | ED0047307550-S | GASKET | 0 | | ⚠ |
| 8 | | | ED0047307560-S | GASKET | 1 | | ⚠ |
| 8 | | | ED0047307620-S | GASKET THICKNESS 1mm INCREASED 1mm | 1 | | ⚠ |
| 8 | | | ED0047307630-S | GRAFFPAK GASKET | 1 | | ⚠ |
| 8 | | | ED0047307640-S | GASKET SP,1,2 | 1 | | ⚠ |
| 9 | | | ED0076251300-S | WASHER | 4 | | |
| 10 | | | ED0047755880-S | GASKET | 1 | | |
| 11 | | | ED0019701400-S | SLEEVE | 2 | | |
| 12 | | (A) | ED0080002180-S | VALVE SEAT | 1 | | |
| 13 | | (A) | ED0048452820-S | GUIDA VALVOLA SCARICO | 1 | | |

8022180010 - HEAD COVER



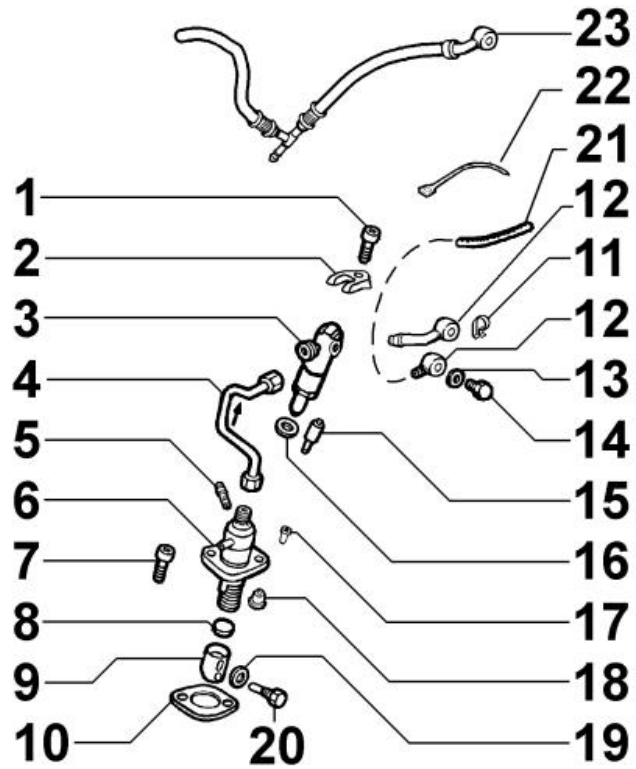
| Pos | Kit | Included In | Code | Description | Qty | Old Code | Tech. Info |
|-----|-----|-------------|----------------|---|-----|----------|------------|
| 1 | (A) | | ED0021256500-S | COVER | 1 | | |
| 2 | | (A) | ED0098201680-S | SELF-TAPPING SCREW 39x95 | 3 | | |
| 3 | | | ED0027503110-S | COPERCHIO GRUPPO SFIATO SAFETY VAL | 1 | | |
| 3 | | (A) | | POS.1 | 1 | | |
| 4 | | (A) | ED0096930070-S | SAFETY VALVE 15LD315 | 1 | | |
| 6 | | (A) | | POS.1 | 1 | | |
| 7 | | (A) | ED0096950220-S | VALVOLA SFI, A MEMB, 15LD -40VALVE 15LD | 1 | | |
| 8 | | (A) | | POS.1 | 1 | | |
| 9 | | (A) | ED0059760040-S | PAGLIETTA FILTRANTE BRAID FILT | 1 | | |
| 10 | | (A) | | POS.1 | 1 | | |
| 11 | | (A) | ED0098201810-S | VITE/SCREW N 10 | 5 | | |
| 12 | | | ED0044000970-S | GASKET | 1 | | |
| 13 | | | ED0090320860-S | FILLERPL | 1 | | |
| 14 | | | ED0012000820-S | O RING | 1 | | |
| 15 | | | ED0097320160-S | CAPSCREW | 3 | | |
| 22 | | (A) | ED0076252700-S | NYLON WASHER 15LD315 | 1 | | |

8024180010 - CRANKCASE COVER



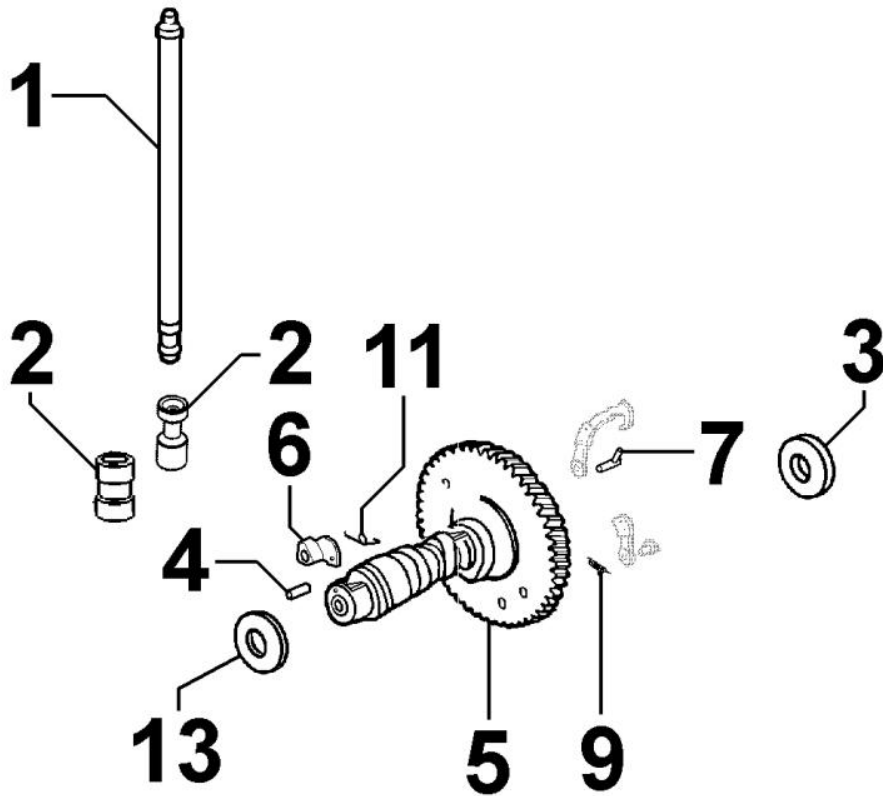
| Pos | Kit | Included In | Code | Description | Qty | Old Code | Tech. Info |
|-----|-----|-------------|----------------|------------------------------|-----|----------------|------------|
| 1 | (A) | | ED0066457120-S | COVER | 1 | | |
| 3 | | | ED0019703380-S | BUSHING | 2 | | |
| 6 | | | ED0097651620-S | VITE STEI/A,GRUBSCREW N A 10 | 2 | | |
| 7 | | | ED0097300310-S | ALLEN SCREW | 15 | | |
| 10 | | | ED0016112100-S | BEAR,-0,25 | 1 | | |
| 10 | | | ED0016112110-S | BEAR,-0,50 | 1 | | |
| 10 | | | ED0016112120-S | BEAR,-1,00 | 1 | | |
| 10 | | (A) | ED0016112090-S | BEAR,STAND, | 1 | ED0016112020-S | |
| 11 | | | ED0012133900-S | SEAL RING | 1 | | |

8030180270 - INJECTION SYSTEM



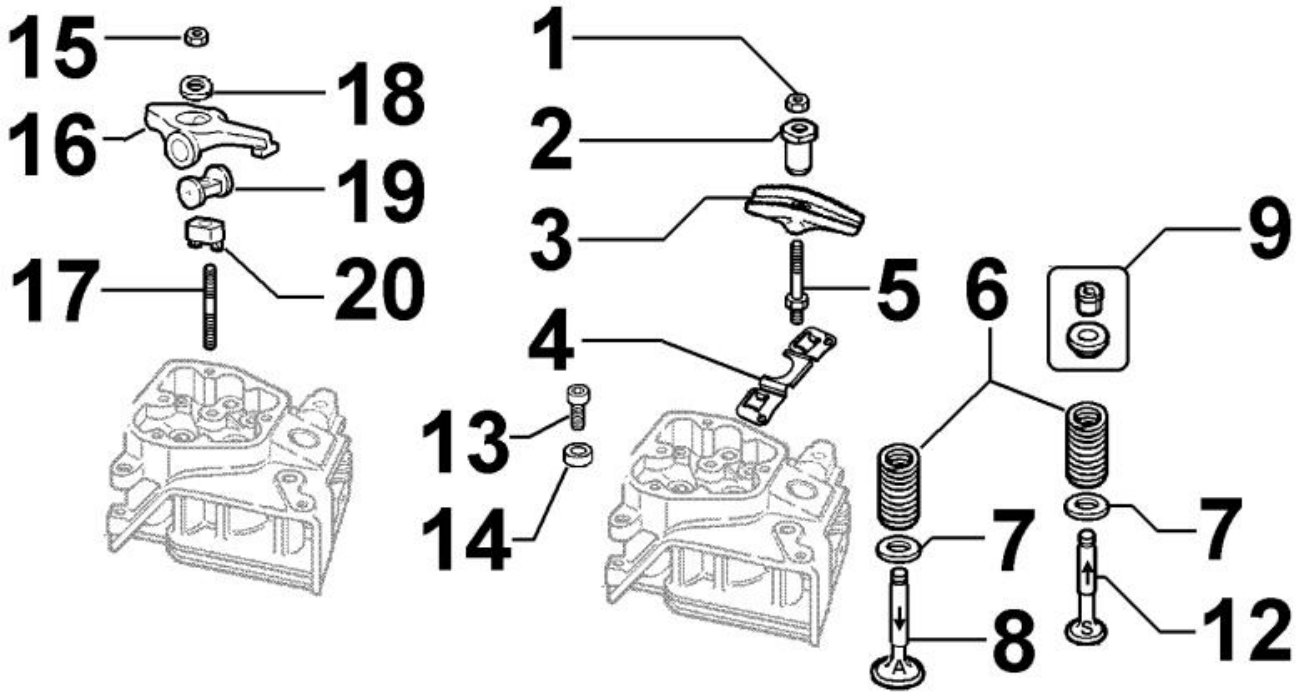
| Pos | Kit | Included In | Code | Description | Qty | Old Code | Tech. Info |
|-----|-----|-------------|----------------|-------------------------------------|-----|----------------|------------|
| 1 | | | ED0097320780-S | SCREW | 1 | | ⚠ |
| 2 | | | ED0085457930-S | BRACE | 1 | | ⚠ |
| 3 | (A) | | ED0066151270-S | P,POLVERIZ,/NOZZLEHL, N | 1 | | ⚠ |
| 4 | | | ED0093760290-S | FUEL TUBE | 1 | | |
| 5 | | | ED0072600570-S | RACCORDO/UNION N | 1 | | |
| 6 | (B) | | ED0065903590-S | INJ,PUMP | 1 | | |
| 7 | | | ED0097303010-S | CAPSCREW | 2 | | |
| 8 | | | ED0060001160-S | EXP,PLUG | 1 | | |
| 9 | | | ED0072151330-S | TAPPET | 1 | | |
| 10 | | | ED0045801800-S | GASKET | 1 | | |
| 11 | | | ED0036300500-S | CLAMP | 1 | | |
| 12 | | | ED0072702390-S | UNION | 1 | | |
| 13 | | | ED0046700620-S | GASKET | 2 | | |
| 14 | | | ED0072600530-S | UNION | 1 | | |
| 15 | | (A) | ED0065316460-S | PULVERIZER VCO 5X160° QNI=830CC/MIN | 1 | | ⚠ |
| 16 | | | ED0046700990-S | GASKET | 1 | | |
| 17 | | (B) | ED0074700180-S | FILLER | 1 | | |
| 18 | | (B) | ED0096721540-S | DELI,VALVE | 1 | | |
| 19 | | | ED0076253030-S | WASHER | 1 | | |
| 20 | | | ED0097651820-S | SCREW | 1 | | ⚠ |
| 21 | | | ED0093758720-S | FUEL TUBE | 1 | ED0093761980-S | |
| 21 | | | ED0093758720-S | FUEL TUBE | 0 | ED0007461930-S | |

8035180060 - CAMSHAFT

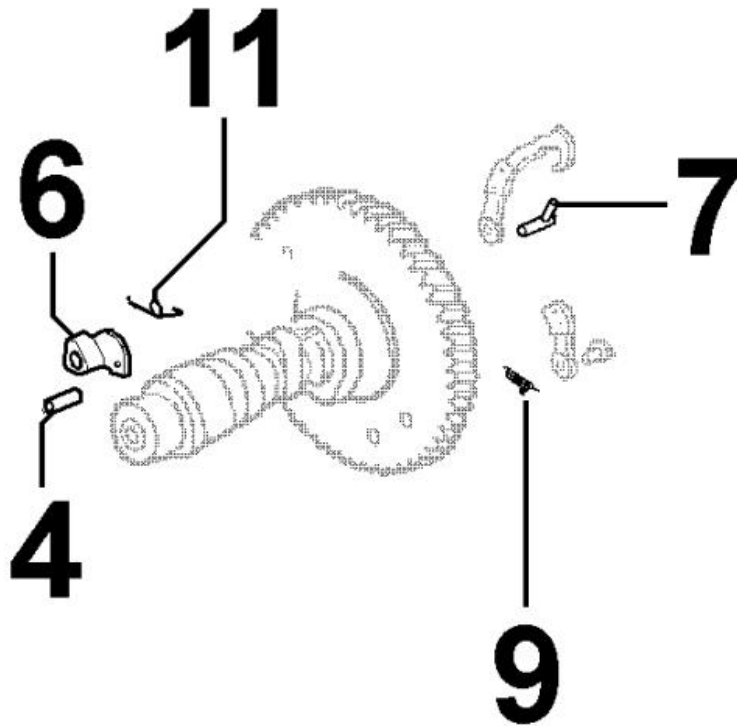


| Pos | Kit | Included In | Code | Description | Qty | Old Code | Tech. Info |
|-----|-----|-------------|----------------|----------------------------|-----|----------|------------|
| 1 | | | ED0014101650-S | PUSHROD | 2 | | |
| 2 | | | ED0072151130-S | TAPPET | 2 | | |
| 3 | | | ED0013012450-S | RING | 1 | | |
| 4 | | (A) | | 803718..0 | 1 | | |
| 5 | | | ED0010100950-S | ALBERO CAMME 15LD400-440/S | 1 | | |
| 6 | | (A) | | 803718..0 | | | |
| 7 | | (A) | | 803718..0 | 1 | | |
| 9 | | (A) | | 803718..0 | 1 | | |
| 11 | | (A) | | 803718..0 | 1 | | |
| 13 | | | ED0013013540-S | RING | 1 | | |

8036180020 - ROCKER ARMS / VALVES

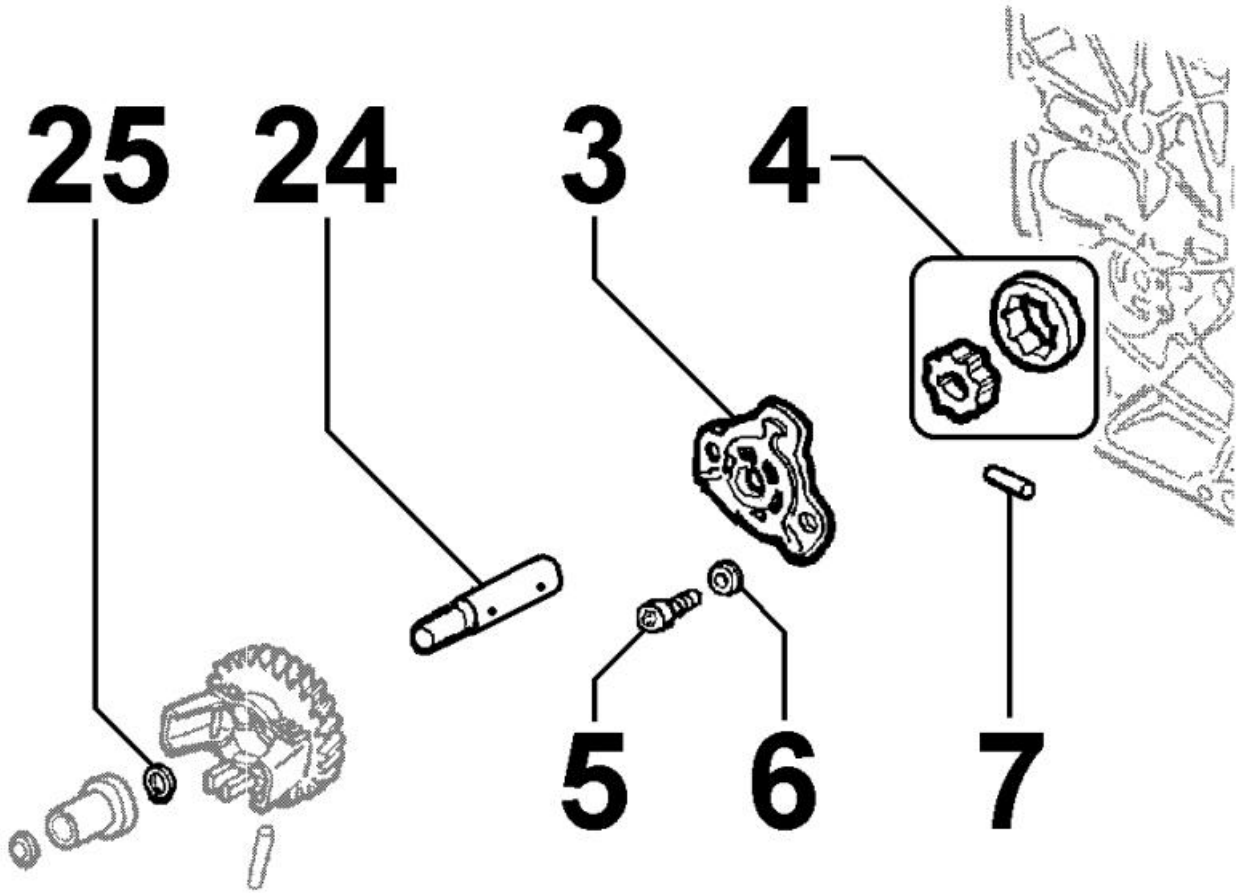


| Pos | Kit | Included In | Code | Description | Qty | Old Code | Tech. Info |
|-----|-----|-------------|----------------|---------------|-----|----------|------------|
| 6 | | | ED0057551550-S | SPRING | 2 | | |
| 7 | | | ED0034301140-S | CUP | 2 | | |
| 8 | | | ED0096521630-S | INTAKE VALVE | 1 | | |
| 9 | | | ED0064001000-S | | 2 | | |
| 12 | | | ED0096851550-S | EXHAUST VALVE | 1 | | |
| 15 | | | ED0032030500-S | NUT | 2 | | |
| 16 | | | ED0015412580-S | ROCKER ARM | 2 | | ⚠ |
| 17 | | | ED0067600970-S | STUD | 2 | | |
| 18 | | | ED0076200170-S | WASHER | 2 | | |
| 19 | | | ED0060451500-S | PIN | 2 | | ⚠ |
| 20 | | | ED0035120220-S | SPACER | 2 | | ⚠ |

8037180060 - COMPRESSION RELEASE


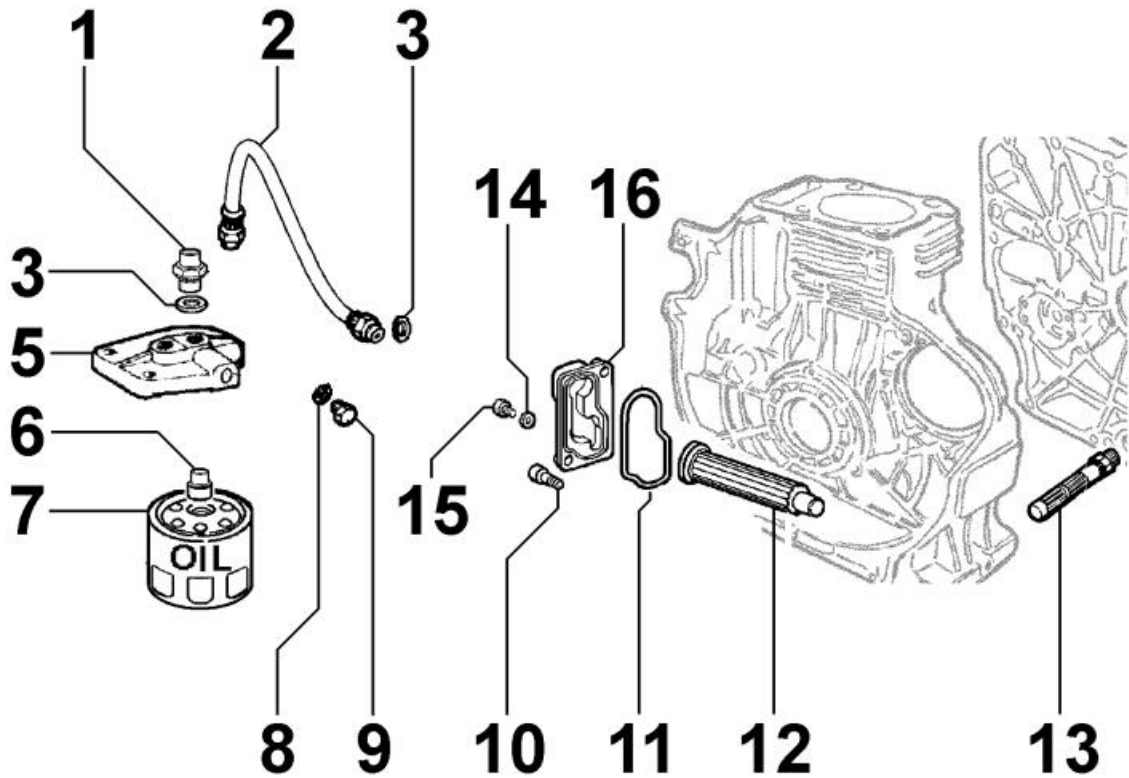
| Pos | Kit | Included In | Code | Description | Qty | Old Code | Tech. Info |
|-----|-----|-------------|----------------|--------------------------------|-----|----------|------------|
| 4 | | | ED0077702500-S | RULLO/ROLLER N A 10 | 1 | | |
| 6 | | | ED0054963890-S | MASSA/ELEMENT | 1 | | |
| 7 | | | ED0010150940-S | ALBERO COM,DECOMPRESS,COMPLETO | 1 | | |
| 9 | | | ED0056601040-S | SPRING | 1 | | |
| 11 | | | ED0056000490-S | SPRING | 1 | | |

8040180010 - OIL PUMP



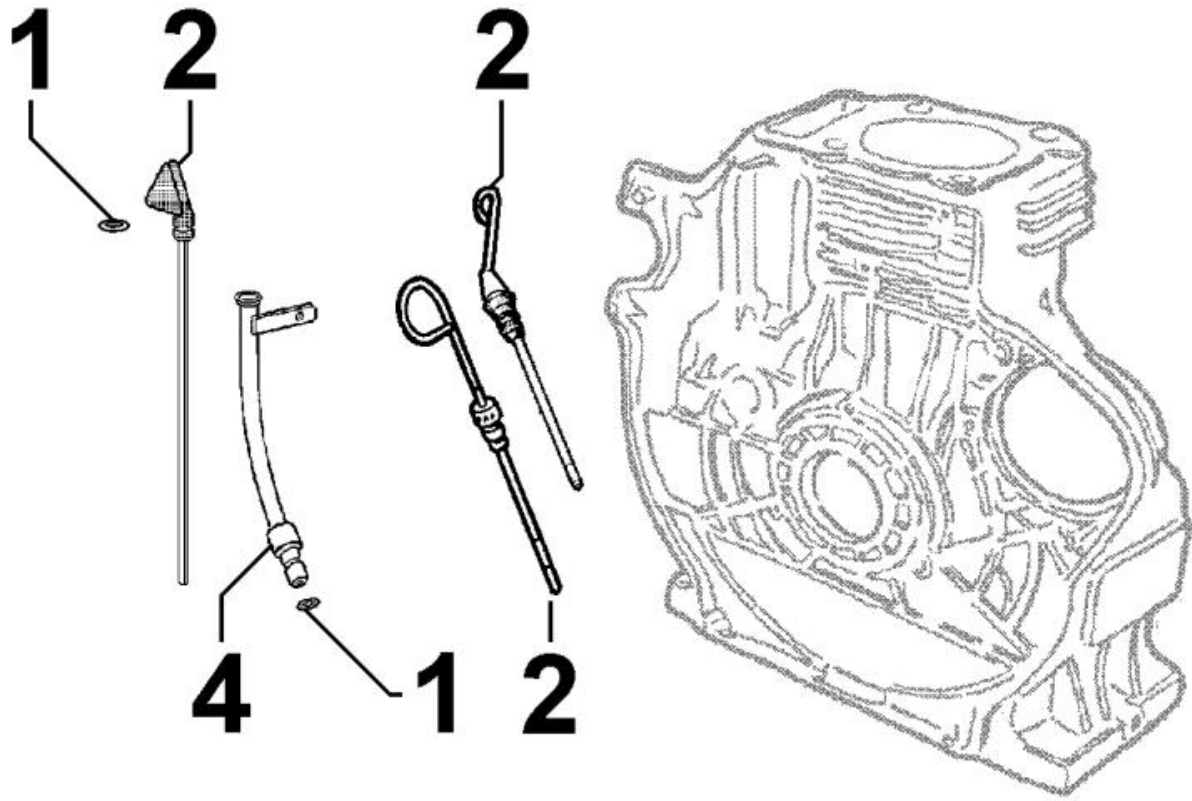
| Pos | Kit | Included In | Code | Description | Qty | Old Code | Tech. Info |
|-----|-----|-------------|----------------|------------------|-----|----------|------------|
| 3 | | | ED0088362100-S | SUPPORT | 1 | | |
| 4 | | | ED0066050900-S | OIL PUMP | 1 | | |
| 5 | | | ED0097300100-S | SCREW | 2 | | |
| 6 | | | ED0075550040-S | WASHER | 2 | | |
| 7 | | | ED0077701720-S | ROLLER | 1 | | |
| 24 | | | ED0011112250-S | ALBERINO/SHAFT N | 1 | | ⚠ |
| 25 | | | ED0012400040-S | SNAP RING | 1 | | |

8042180020 - OIL FILTER

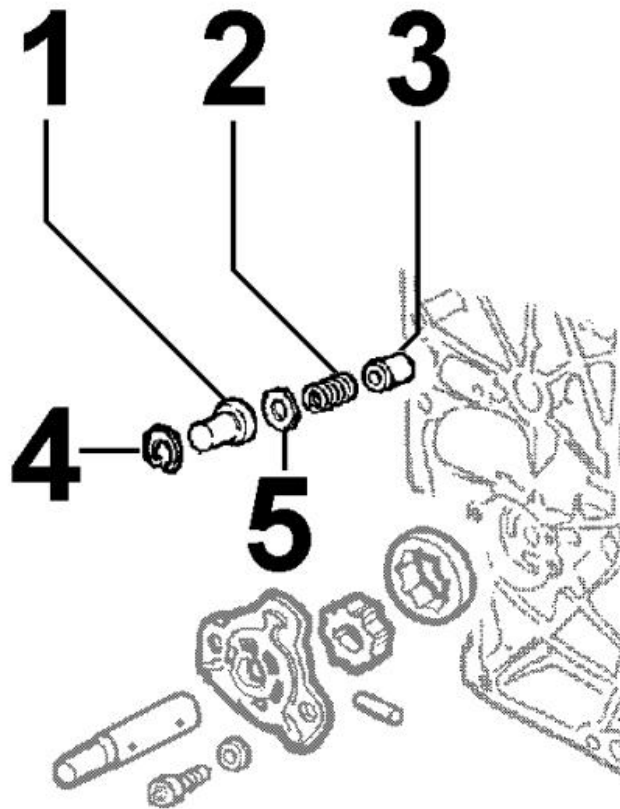



| Pos | Kit | Included In | Code | Description | Qty | Old Code | Tech. Info |
|-----|-----|-------------|----------------|------------------------|-----|----------------|------------|
| 10 | | | ED0097300130-S | ALLEN SCREW | 2 | | |
| 11 | | | ED0012003840-S | O RING | 1 | | ⚠ |
| 12 | | | ED0021751550-S | CARTRIDGE | 1 | ED0021751290-S | |
| 13 | | | ED00395R0150-S | OIL FILTER INTERNAL RY | 1 | | |
| 16 | | | ED0092201170-S | HEAD FILTRO | 1 | | ⚠ |

8043180010 - OIL DIPSTICK

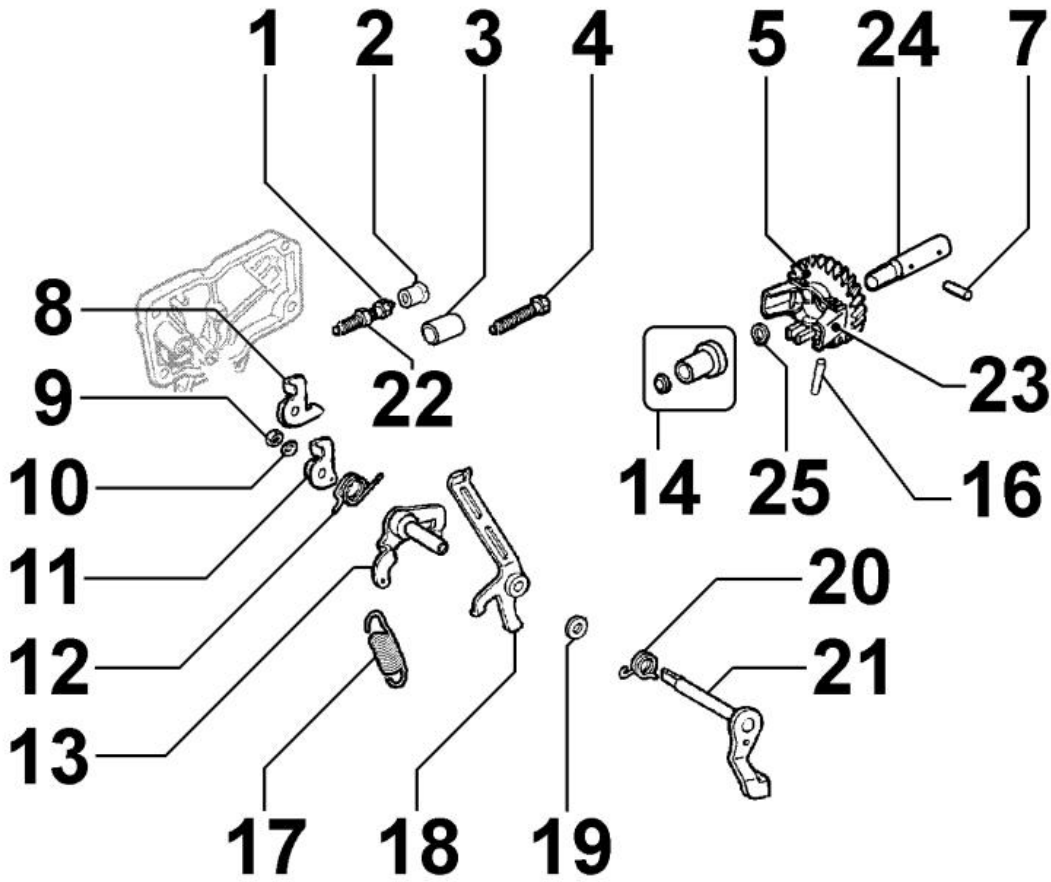


| Pos | Kit | Included In | Code | Description | Qty | Old Code | Tech. Info |
|-----|-----|-------------|----------------|-------------|-----|----------|------------|
| 2 | (A) | | ED0014004200-S | DIPSTICK | 1 | | |

8044180010 - OIL PRESSURE VALVE


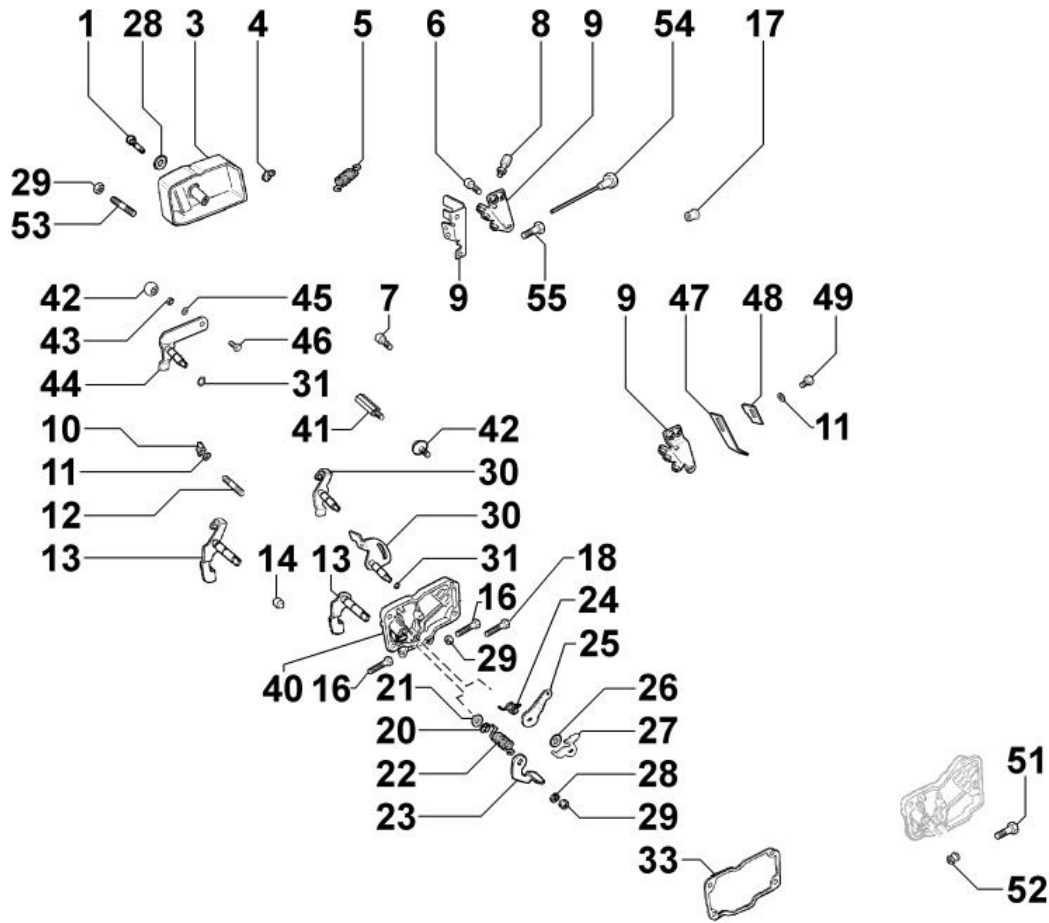
| Pos | Kit | Included In | Code | Description | Qty | Old Code | Tech. Info |
|-----|-----|-------------|----------------|-------------------------|-----|----------|---|
| 1 | | | ED0079800770-S | CUP | 1 | | |
| 2 | | | ED0056250230-S | SPRING | 1 | | |
| 3 | | | ED0064950740-S | PISTONCINO/PLUNGER N 10 | 1 | | |
| 4 | | | ED0012400170-S | SNAP RING | 1 | | |
| 5 | | | ED0076251050-S | RONDELLA/WASHER 'D 10 | 1 | |  |

8050180160 - SPEED GOVERNOR



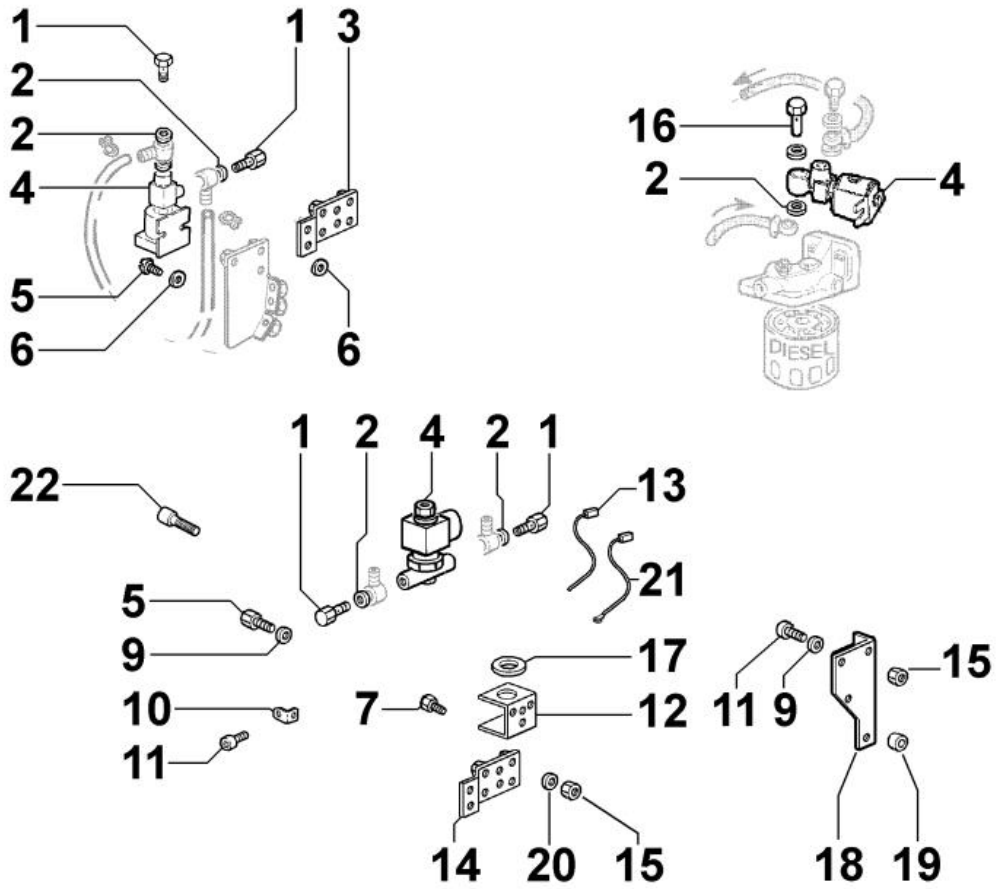
| Pos | Kit | Included In | Code | Description | Qty | Old Code | Tech. Info |
|-----|-----|-------------|----------------|------------------------|-----|----------------|------------|
| 1 | | | ED0085761430-S | SUPPLEMENTO/SUPPLEMENT | 1 | | |
| 2 | | | ED0021450370-S | CAP | 1 | | |
| 5 | (B) | | ED0048964350-S | GOVERNOR ASSEMBLY | 1 | | ⚠ |
| 7 | | (B) | ED0077701720-S | ROLLER | 1 | | |
| 8 | | | ED0052012870-S | LEVA/LEVER N | 1 | | |
| 9 | | | ED0032400080-S | HEX,NUT | 1 | | |
| 10 | | | ED0075650040-S | SP,WASHER | 1 | | |
| 12 | | | ED0058015820-S | SPRING | 1 | | |
| 13 | | | ED0052021000-S | LEVA/LEVER | 1 | ED0015852150-S | |
| 14 | | (B) | ED0072002760-S | PUNTALINO/DRIVE ROD N | 1 | | ⚠ |
| 16 | | (B) | ED0077701710-S | ROLLER D,3x27,8 | 2 | | |
| 17 | | | ED0056552200-S | SPRING | 1 | | |
| 18 | | | ED0052011320-S | LEVER | 1 | | ⚠ |
| 19 | | | ED0076251050-S | RONDELLA/WASHER 'D 10 | 1 | | ⚠ |
| 20 | | | ED0056000420-S | SPRING | 1 | | |
| 21 | | | ED0052012940-S | DEVA/LEVER N | 1 | | ⚠ |
| 24 | | (B) | | 804018...0 | | | |
| 25 | | (B) | | 804018...0 | | | |

8051180340 - CONTROLS



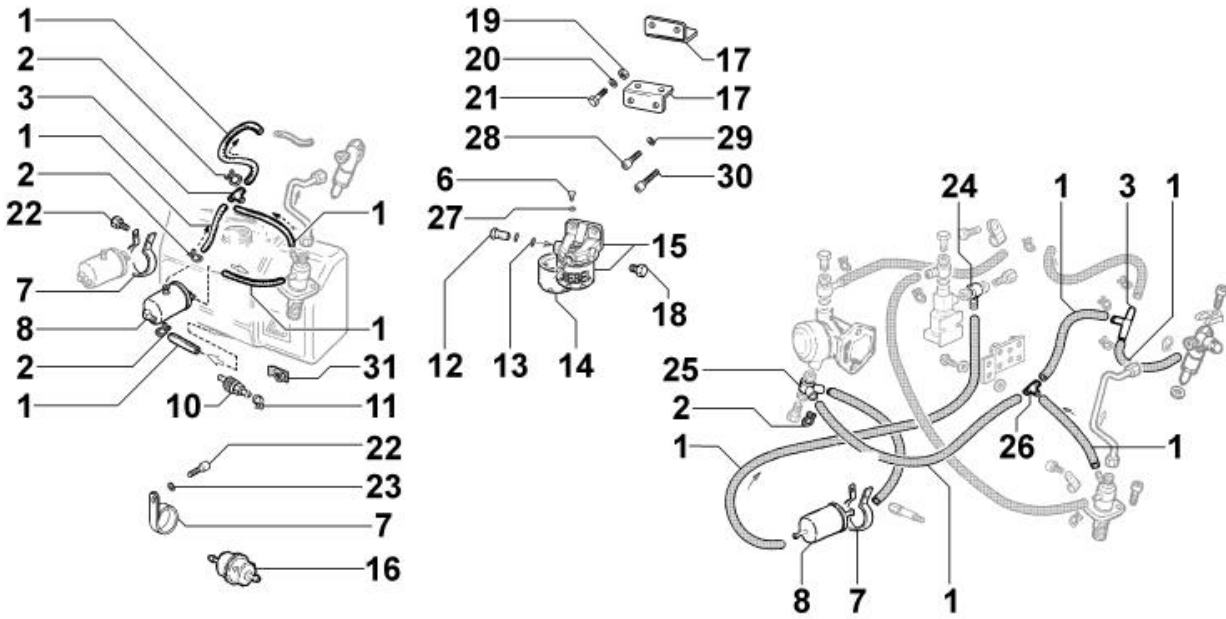
| Pos | Kit | Included In | Code | Description | Qty | Old Code | Tech. Info |
|-----|-----|-------------|----------------|------------------------------|-----|----------|------------|
| 1 | | | ED0097900300-S | CAPSCREW | 1 | | |
| 3 | | | ED0069276600-S | GUARD | 1 | | ⚠ |
| 4 | | | ED0058301190-S | CONNECTOR | 2 | | |
| 7 | | | ED0097303370-S | SCREW | 2 | | |
| 9 | | | ED0085101800-S | SQUADRETTA SUPP,COMANDI 18LD | 1 | | |
| 11 | | | ED0076250070-S | WASHER | 1 | | |
| 13 | | | ED0052011010-S | LEVA/LEVER | 1 | | |
| 16 | | (A) | ED0017600270-S | BOLT | 2 | | |
| 20 | | (A) | ED0012400020-S | SNAP RING | 2 | | |
| 21 | | (A) | ED0076251050-S | RONDELLA/WASHER 'D 10 | 2 | | ⚠ |
| 22 | | (A) | ED0056000390-S | MOLLA X LEVA STOP-LD315 | 1 | | |
| 26 | | | ED0076250100-S | WASHER | 1 | | |
| 28 | | (A) | ED0075650040-S | SP,WASHER | 1 | | |
| 29 | | (A) | ED0032400080-S | HEX,NUT | 1 | | |
| 31 | | (A) | ED0012000410-S | O RING | 1 | | |
| 33 | | | ED0044311980-S | GASKET | 1 | | |
| 40 | (A) | | ED0027504030-S | COPERCHIO/COVER D A | 1 | | ⚠ |
| 53 | | | ED0056550810-S | SPRING | 1 | | |
| 55 | | | ED0097300120-S | SCREW | 2 | | |

8052180150 - ELECTROVALVE



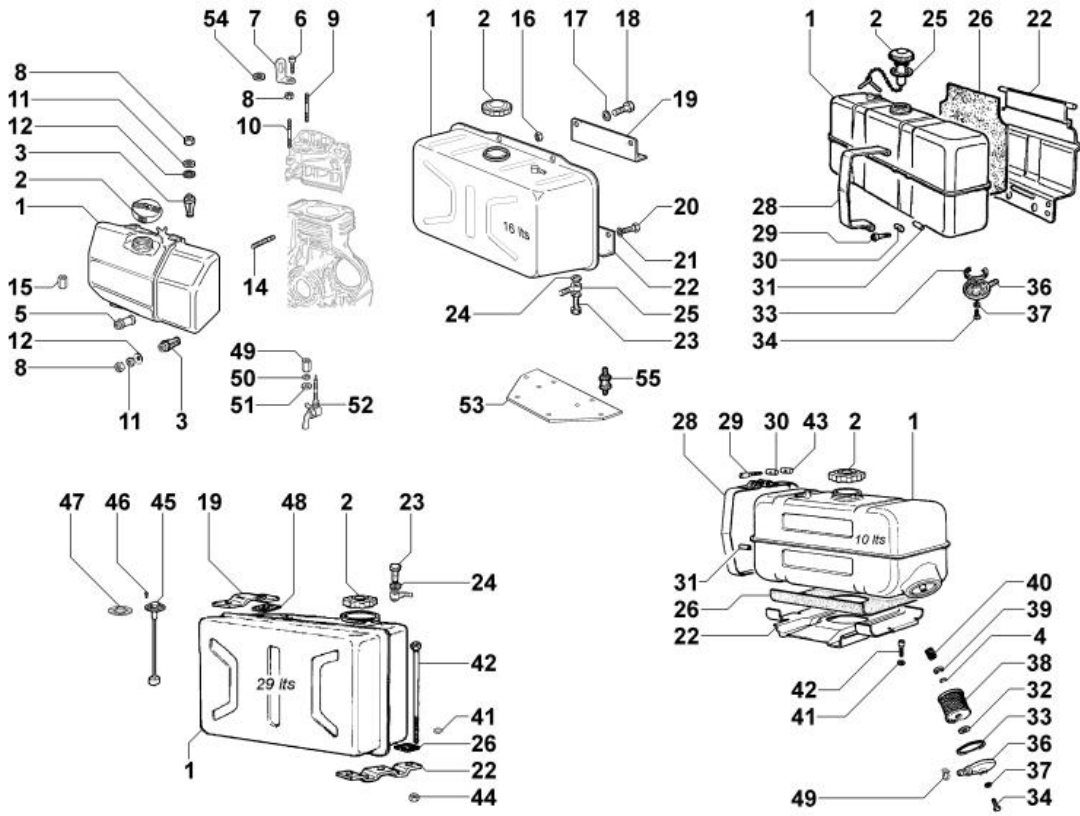
| Pos | Kit | Included In | Code | Description | Qty | Old Code | Tech. Info |
|-----|-----|-------------|----------------|----------------|-----|----------|------------|
| 1 | | | ED0019011670-S | SCREW | 2 | | |
| 2 | | | ED0046700590-S | C,GASKET | 4 | | |
| 4 | | | ED0035871820-S | EL,VALVE | 1 | | |
| 7 | | | ED0097303190-S | SCREW | 2 | | |
| 9 | | | ED0076250070-S | WASHER | 2 | | |
| 14 | | | ED0085101490-S | AN,BRACK, | 1 | | |
| 15 | | | ED0032400080-S | HEX,NUT | 2 | | |
| 21 | | | ED0021854940-S | CAVO,WIRE N 10 | 1 | | |
| 22 | | | ED0097320840-S | SCREW | 2 | | |

8061180090 - FUEL FILTER



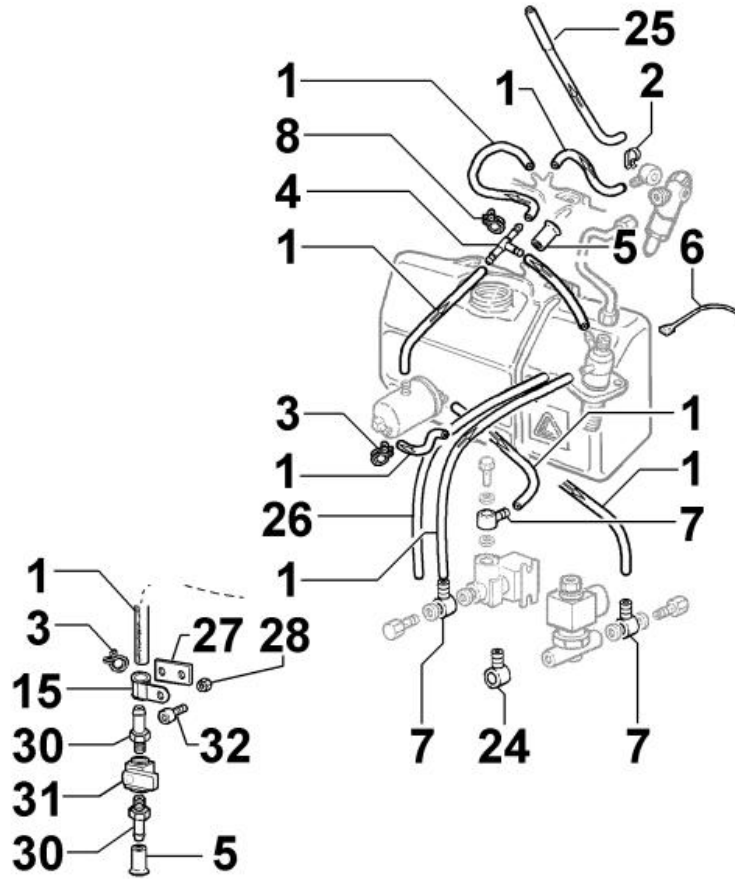
| Pos | Kit | Included In | Code | Description | Qty | Old Code | Tech. Info |
|-----|-----|-------------|----------------|-------------|-----|----------------|------------|
| 1 | | | ED0093758720-S | FUEL TUBE | 0 | ED0007461930-S | |
| 2 | | | ED0036301630-S | CLAMP | 1 | | |
| 7 | | | ED0036171970-S | CLAMP | 1 | | ⚠ |
| 8 | | | ED0037300960-S | FUEL FILTER | 1 | ED0037300880-S | ⚠ |
| 22 | | 10 | ED00994A0010-S | VITE/SCREW | 1 | | |
| 26 | | | ED0025270940-S | CONNECTOR | 1 | | |

8063180010 - FUEL TANK

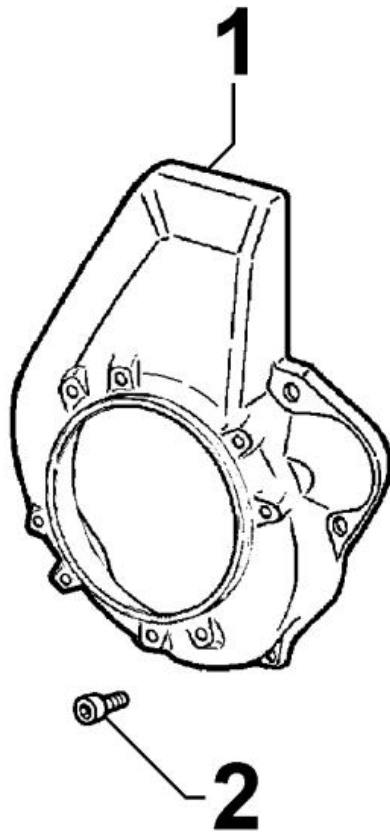


| Pos | Kit | Included In | Code | Description | Qty | Old Code | Tech. Info |
|-----|-----|-------------|----------------|--------------------------|-----|----------|------------|
| 1 | | | ED0081033230-S | FUEL TANK | 1 | | |
| 2 | | | ED0090430790-S | TANK PLUG COMPLETE GR,30 | 1 | | |
| 3 | | | ED0035274190-S | SPACER | 2 | | |
| 5 | | | ED0035275090-S | SPACER | 2 | | |
| 7 | | | ED0085060030-S | AN,BRACKET | 1 | | |
| 8 | | | ED0032401640-S | HEX,NUT | 4 | | |
| 9 | | | ED0067800270-S | STUD | 1 | | |
| 10 | | | ED0067801640-S | STUD | 1 | | |
| 11 | | | ED0076701180-S | WASHER | 4 | | |
| 12 | | | ED0077011540-S | WASHER | 8 | | |
| 14 | | | ED0067801800-S | STUD | 2 | | |
| 54 | | | ED0076250610-S | WASHER | 1 | | |

8064180050 - FUEL PIPING

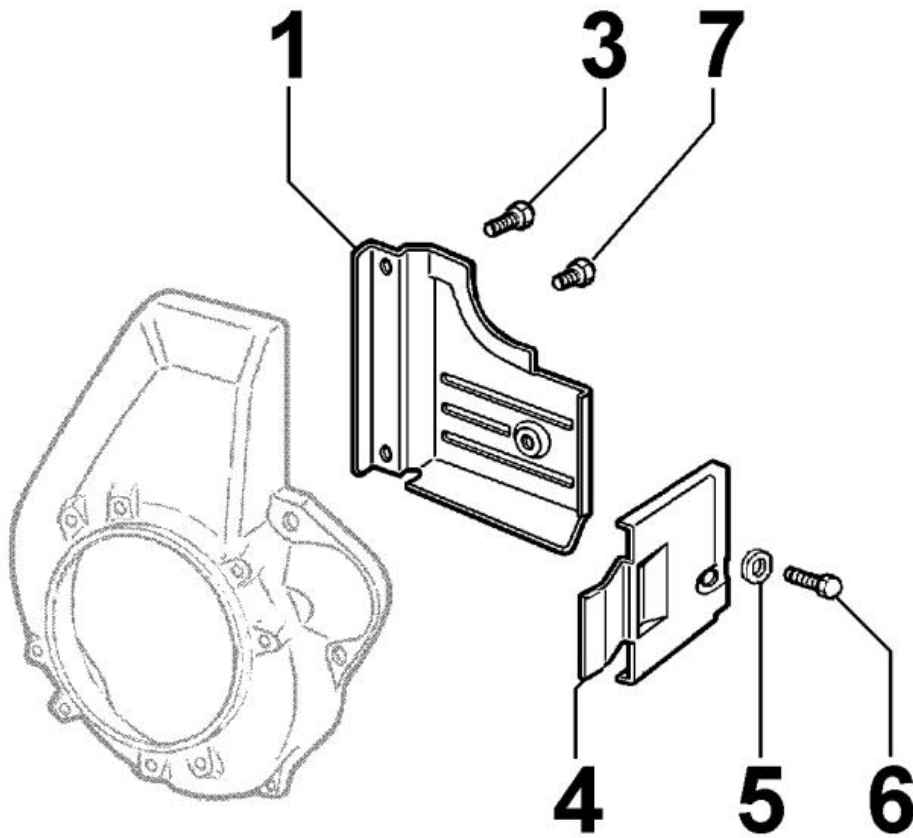


| Pos | Kit | Included In | Code | Description | Qty | Old Code | Tech. Info |
|-----|-----|-------------|----------------|-------------|-----|----------------|------------|
| 1 | | | ED0093758720-S | FUEL TUBE | 0 | ED0007461930-S | |
| 3 | | | ED0036300500-S | CLAMP | 1 | | |
| 7 | | | ED0072701040-S | UNION | 1 | | |
| 24 | | | ED0072701380-S | UNION | 1 | | |

8070180120 - AIR SHROUD

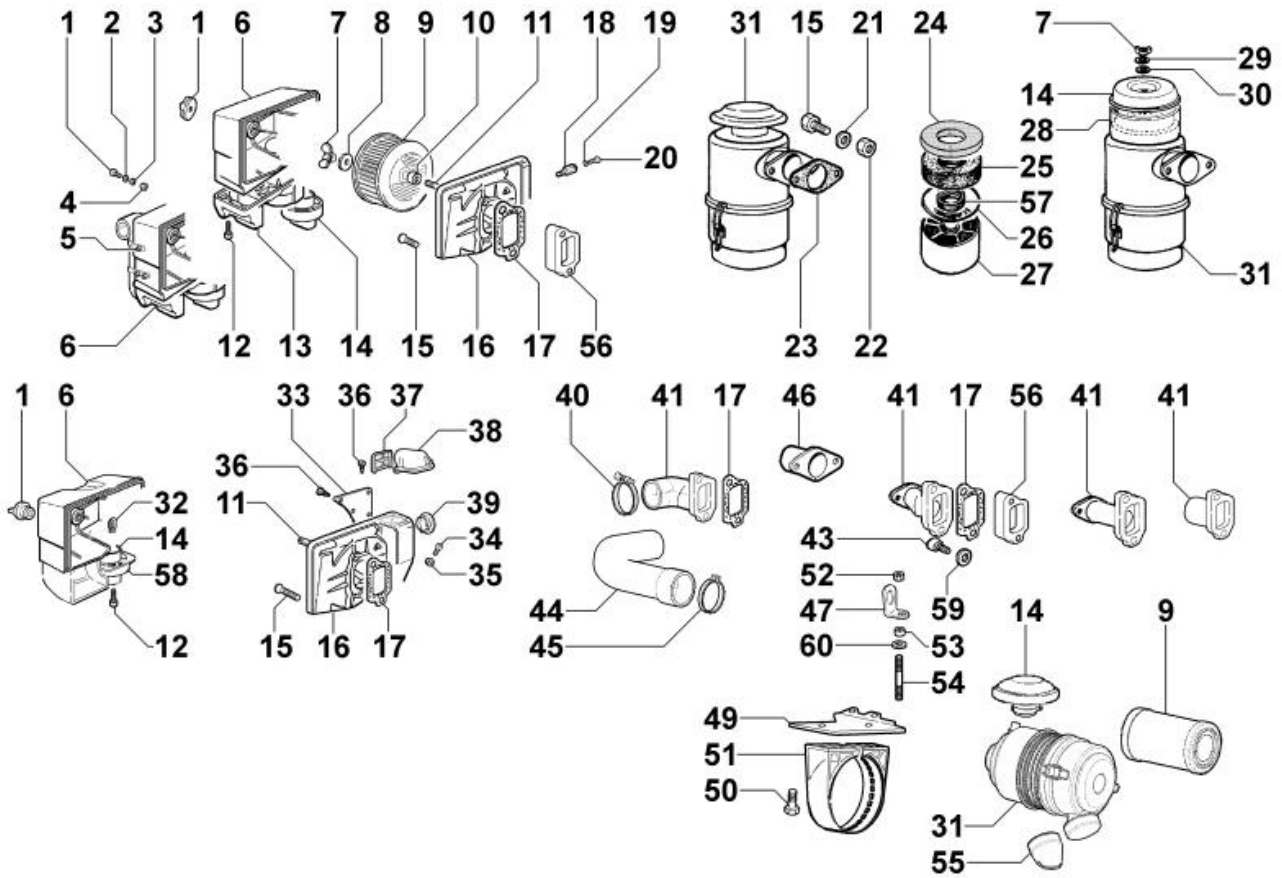
| Pos | Kit | Included In | Code | Description | Qty | Old Code | Tech. Info |
|-----|-----|-------------|----------------|-------------|-----|----------|------------|
| 1 | | | ED0025697610-S | FAN SHROUD | 1 | | |
| 2 | | | ED0097320840-S | SCREW | 5 | | |

8072180060 - COOLING PLATES



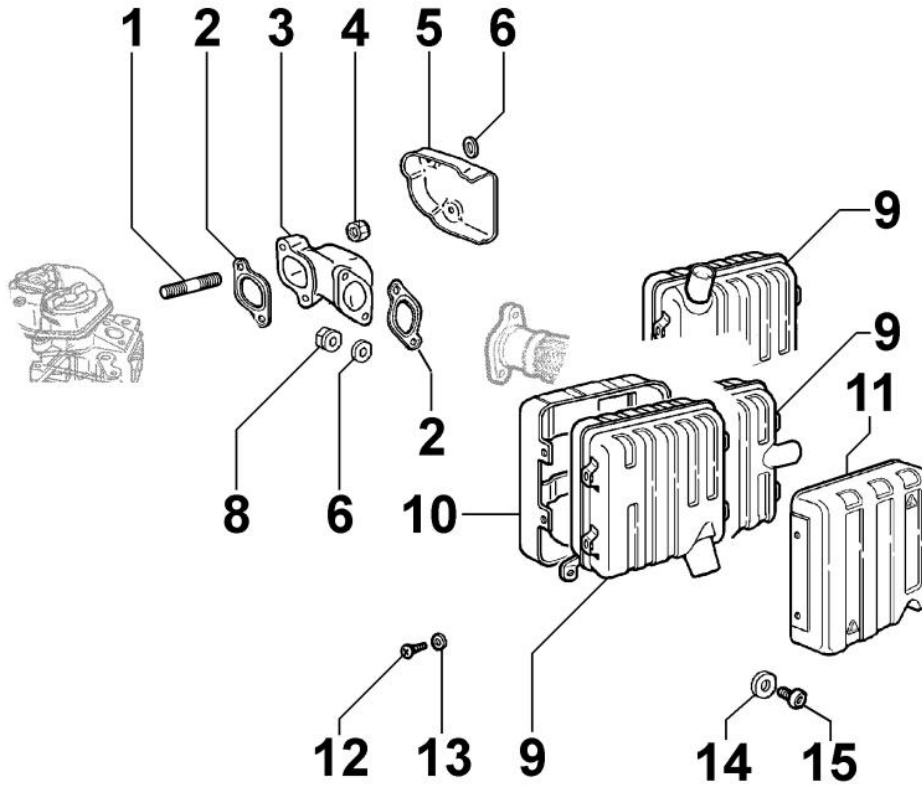
| Pos | Kit | Included In | Code | Description | Qty | Old Code | Tech. Info |
|-----|-----|-------------|----------------|---|-----|----------|------------|
| 1 | | | ED0050664040-S | SHEET METAL FOR ANTIPHON CONVEYOR BLACK | 1 | | |
| 3 | | | ED0097901380-S | CH-H,SCREW | 3 | | |
| 4 | | | ED0050663340-S | LAMIERA/PANEL N | 1 | | |
| 5 | | | ED0075550040-S | WASHER | 2 | | |
| 6 | | | ED0098651220-S | SCREW | 1 | | |

8081180550 - AIR CLEANER



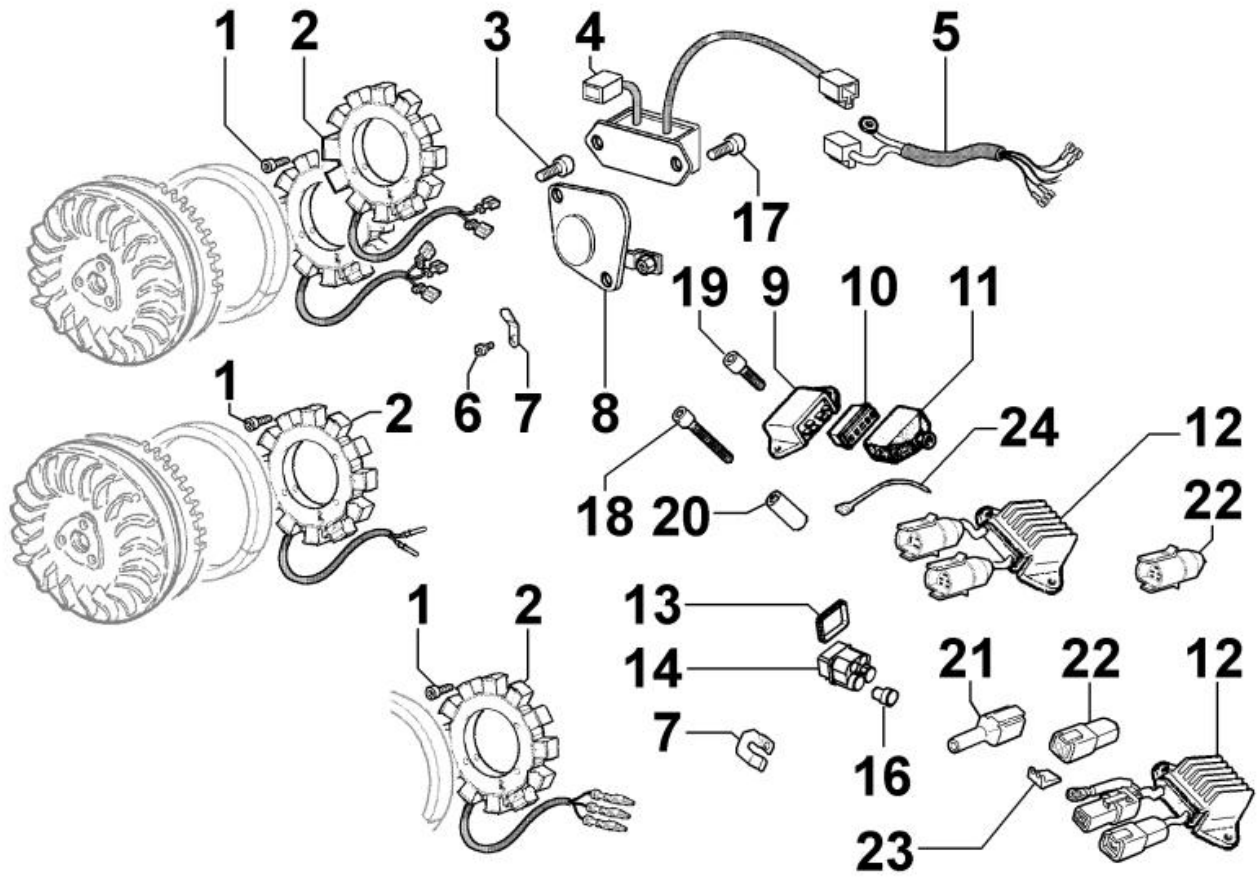
| Pos | Kit | Included In | Code | Description | Qty | Old Code | Tech. Info |
|-----|-----|-------------|----------------|--|-----|----------|------------|
| 1 | | (A) | ED0065600390-S | KNOB FOR COVER 15LD400 | 1 | | ▲ |
| 6 | (A) | | ED0027504550-S | COVER | 1 | | ▲ |
| 6 | | (A) | ED0027504520-S | COVER | 1 | | ▲ |
| 7 | | | ED0032000240-S | NUT | 1 | | |
| 9 | | | ED0021753060-S | CARTRIDGE FOR AIR FILT,15LD CONSTRUCTION | 1 | | ▲ |
| 10 | | | ED0044900980-S | GASKET | 1 | | ▲ |
| 11 | | | ED0067600430-S | STUD | 1 | | ▲ |
| 12 | | (A) | ED0098201720-S | SCREW | 4 | | |
| 14 | | (A) | ED0067270520-S | CYCLONE PREFILTER 15LD400 | 1 | | |
| 15 | | | ED0098000550-S | SCREW | 2 | | |
| 16 | (B) | | ED0087412850-S | SUPP,FT,ARIA BOMAG NO BORDINO | 1 | | ▲ |
| 17 | | | ED0044900960-S | GASKET | 1 | | ▲ |
| 32 | | (A) | ED0012410670-S | SNAP RING | 1 | | ▲ |
| 36 | | (B) | ED0098201680-S | SELF-TAPPING SCREW 39x95 | 7 | | |
| 58 | | (A) | ED0067270510-S | PREFILTER BRACE 15LD400 | 1 | | |

8086180150 - EXHAUST MUFFLER



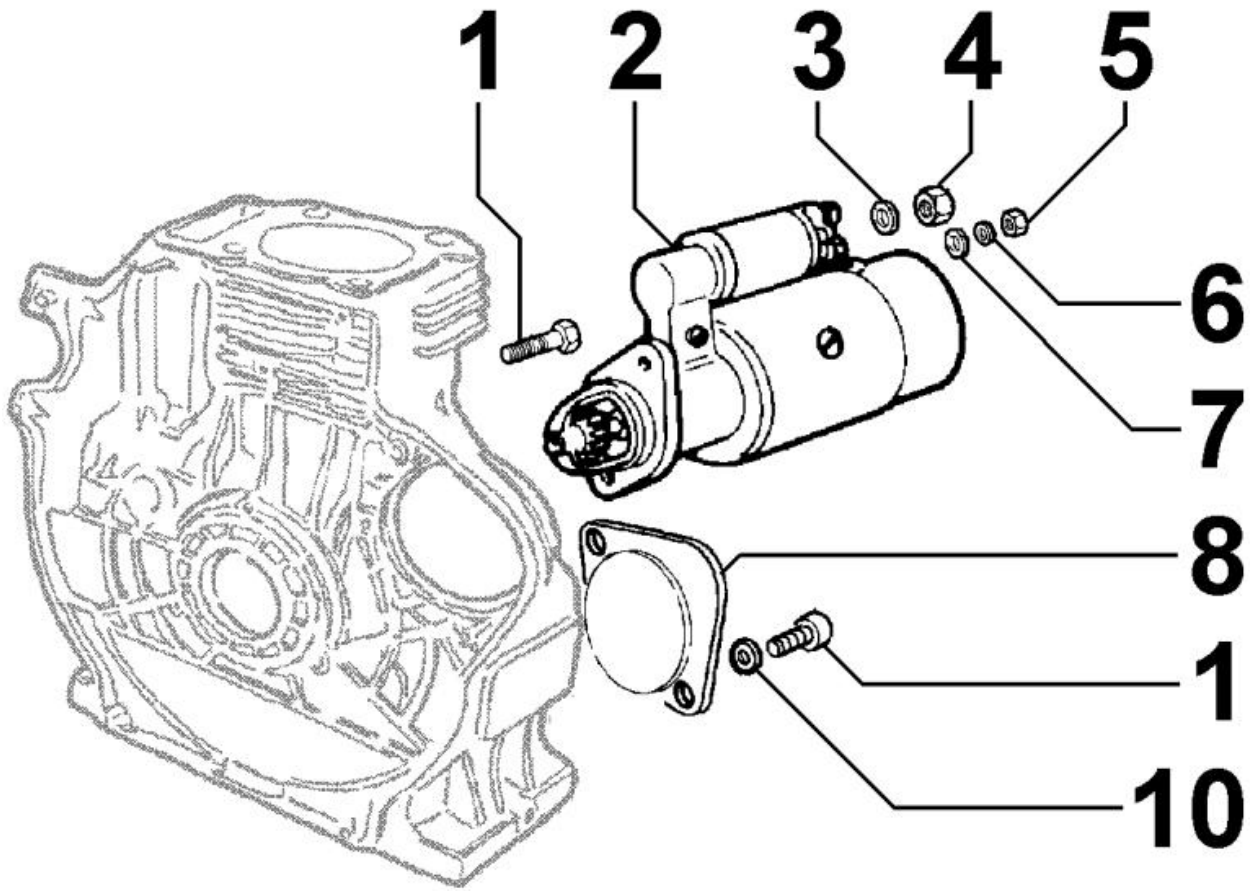
| Pos | Kit | Included In | Code | Description | Qty | Old Code | Tech. Info |
|-----|-----|-------------|----------------|------------------|-----|----------------|------------|
| 1 | | | ED0067800250-S | STUD | 2 | ED00676R0300-S | |
| 2 | | | ED0045011010-S | GASKET | 1 | | |
| 3 | | | ED0024864000-S | MANIFOLD | 1 | | |
| 4 | | | ED0032401720-S | NUT | 2 | | |
| 5 | | (A) | ED0069275950-S | PROTEZIONE/GUARD | 1 | | |
| 6 | | | ED0044800030-S | GASKET | 4 | | |
| 8 | | | ED0032401650-S | HEX,NUT | 2 | | |
| 9 | (A) | | ED0054606300-S | MUFFLER | 1 | | |
| 9 | | (A) | ED0054606220-S | MUFFLER | 1 | | |
| 11 | | (A) | ED0069275210-S | GUARD | 1 | | |
| 12 | | | ED0097900370-S | SCREW | 4 | | |
| 13 | | | ED0075550270-S | WASHER | 4 | | |
| 14 | | | ED0075000200-S | WASHER | 1 | | |
| 15 | | | ED0097320740-S | CAPSCREW | 1 | | |

8100180010 - VOLTAGE ALTERNATOR



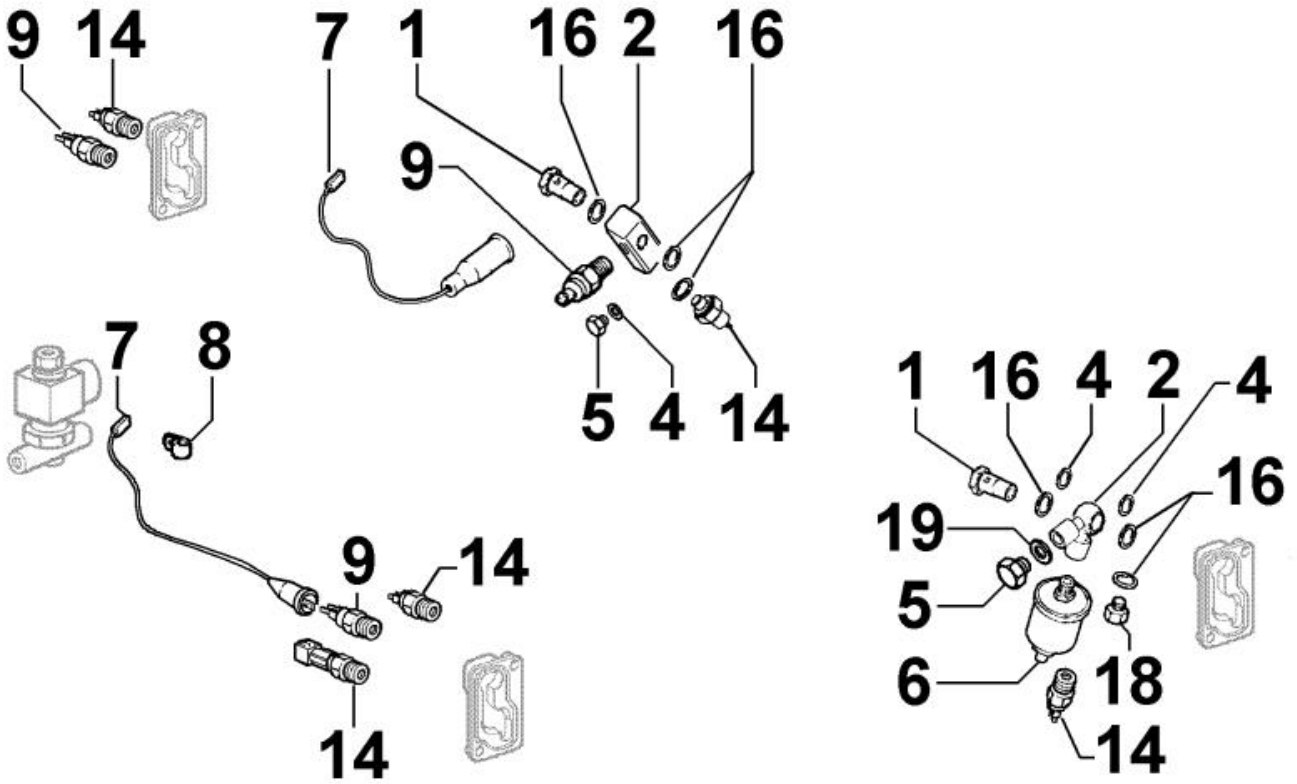
| Pos | Kit | Included In | Code | Description | Qty | Old Code | Tech. Info |
|-----|-----|-------------|----------------|--------------------------------|-----|----------|------------|
| 1 | | | ED00992R0460-S | SCREW | 3 | | |
| 2 | | | ED0085651130-S | STATOR | 1 | | |
| 6 | | | ED0097901300-S | SCREW TC 6X8 CrNi1810 AISI 304 | 1 | | |

8101180040 - STARTING MOTOR



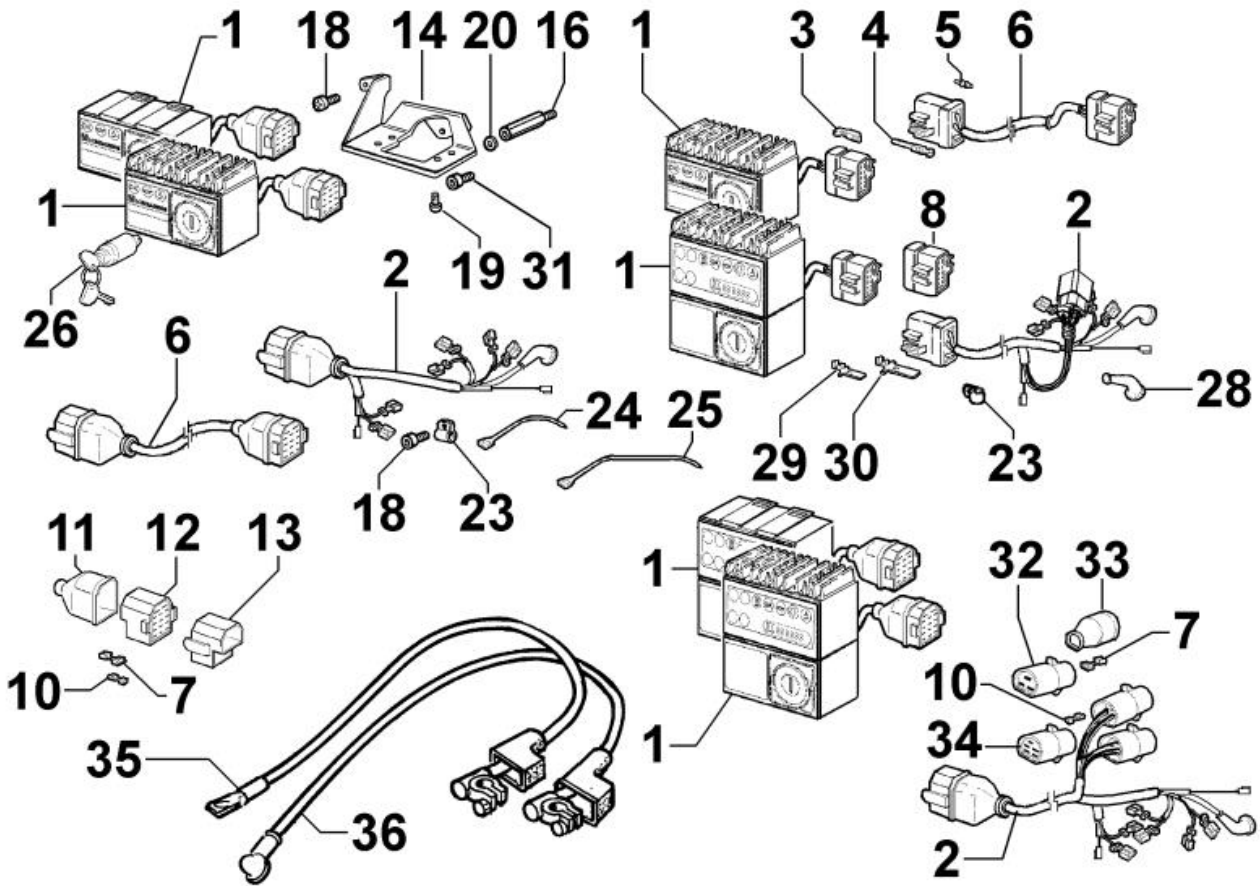
| Pos | Kit | Included In | Code | Description | Qty | Old Code | Tech. Info |
|-----|-----|-------------|----------------|-------------|-----|----------|------------|
| 1 | | | ED00992R0240-S | VITE/SCREW | 10 | | |
| 2 | | | ED0058402180-S | STA,MOTOR | 1 | | |
| 3 | | | ED0075650070-S | SP,WASHER | 1 | | |
| 4 | | | ED0032400180-S | HEX,NUT | 1 | | |
| 5 | | | ED0032400090-S | HEX,NUT | 1 | | |
| 6 | | | ED0075550040-S | WASHER | 1 | | |
| 7 | | | ED0076250080-S | WASHER | 1 | | |

8102180010 - OIL PRESSURE SWITCH



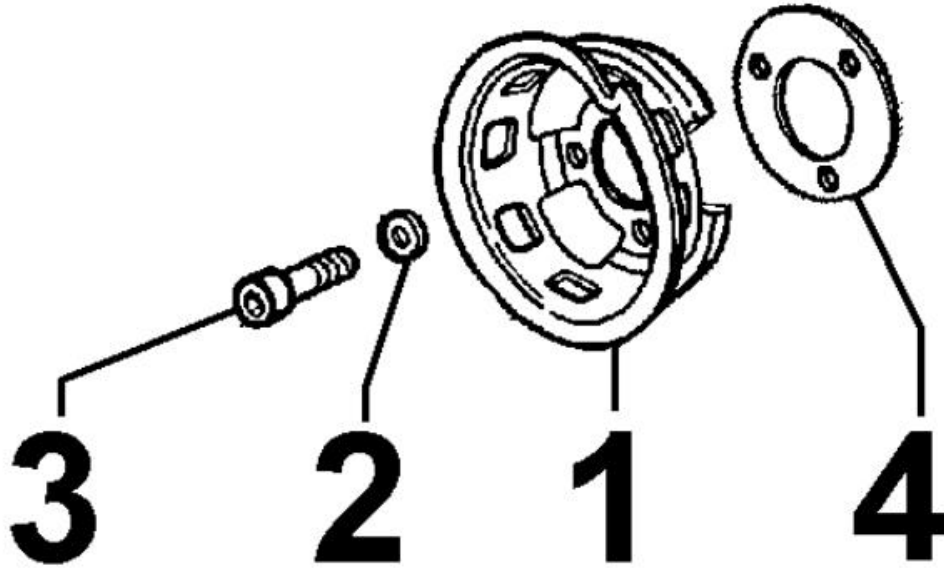
| Pos | Kit | Included In | Code | Description | Qty | Old Code | Tech. Info |
|-----|-----|-------------|----------------|-------------|-----|----------|------------|
| 14 | | | ED0067450420-S | P,SWITCH | 1 | | |

8103180010 - ELECTRIC DASHBOARD / ENGINE WIRES



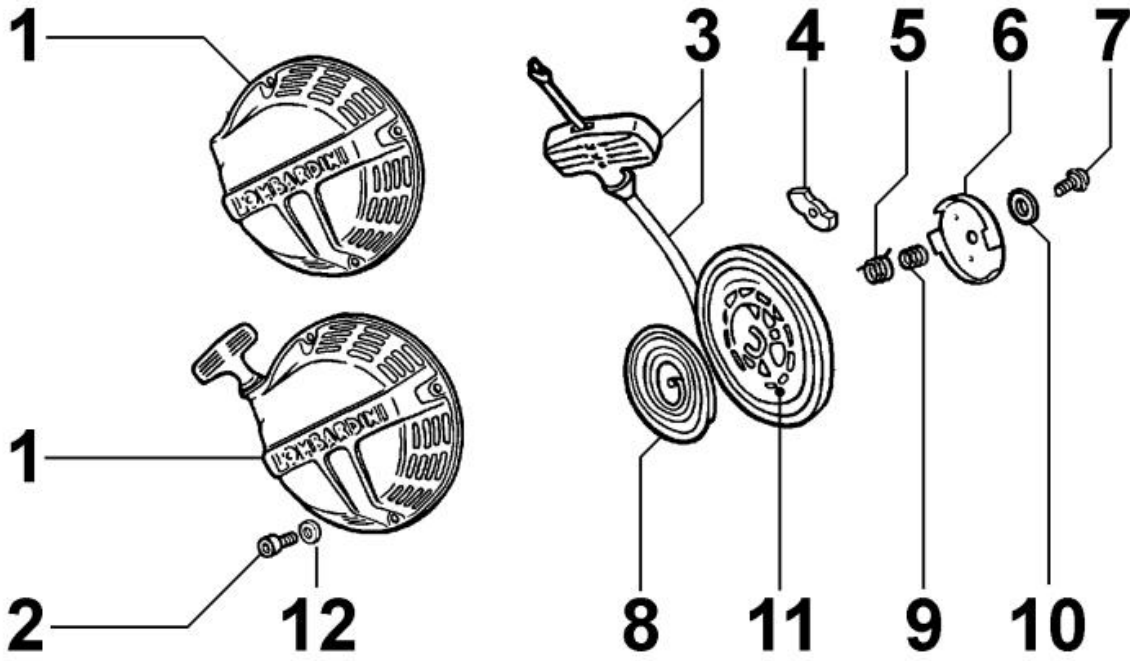
| Pos | Kit | Included In | Code | Description | Qty | Old Code | Tech. Info |
|-----|-----|-------------|----------------|-------------|-----|----------|------------|
| 1 | (A) | | ED0072454230-S | PANEL | 1 | | |
| 2 | (D) | | ED0021859070-S | CABLE | 1 | | |
| 6 | (B) | | ED0021858820-S | CABLE | 1 | | |
| 7 | | (B) (D) (E) | ED0091801320-S | END | 2 | | |
| 10 | | (B) | ED0091800560-S | END | 12 | | |
| 11 | | (A) (B) | ED0021450600-S | CAP | 2 | | |
| 12 | | (A) (B) (D) | ED0015571000-S | PLUG | 1 | | |
| 13 | | (B) | ED0015571010-S | PLUG | 1 | | |
| 18 | | | ED0097901380-S | CH-H,SCREW | 1 | | |
| 23 | | | ED0036170180-S | CLAMP | 1 | | |
| 24 | | | ED0024710060-S | COLLAR | 1 | | |
| 26 | | (A) | ED0050410200-S | SWITCH | 1 | | |
| 29 | | (B) | ED0091800660-S | END | 12 | | |
| 30 | | (B) | ED0091801610-S | END | 2 | | |

8110180040 - STARTING



| Pos | Kit | Included In | Code | Description | Qty | Old Code | Tech. Info |
|-----|-----|-------------|----------------|----------------------|-----|----------|------------|
| 1 | | | ED0069611080-S | PULLEY | 1 | | |
| 2 | | | ED0075650070-S | SP,WASHER | 3 | | |
| 3 | | | ED0097320630-S | CAPSCREW | 3 | | |
| 4 | | | ED0035150440-S | DISTANZIALE/SPACER D | 1 | | |

8120180280 - RECOIL STARTING



| Pos | Kit | Included In | Code | Description | Qty | Old Code | Tech. Info |
|-----|-----|-------------|----------------|-----------------------|-----|----------|------------|
| 1 | (A) | | ED0014720620-S | RECOIL STARTING BLACK | 1 | | |
| 2 | | | ED0097303090-S | SCREW | 4 | | |

